

60mm sq.

San Ace 60

15mm thick (GA type), 15mm thick
 20mm thick (GA type), 20mm thick
 25mm thick (S type), **25mm thick (G type)**
 25mm thick, 25mm thick (San Cooler)
 38mm thick (GA type), 38mm thick (GV type)
 38mm thick (G type)



General Specifications

- Material Frame: Plastics (Flammability: UL94V-0),
 Impeller: Plastics (Flammability: UL94V-0)
- Expected Life Refer to specifications (L10:Survival rate:90% at 60°C ,
 rated voltage, and continuously run in a free air state)
- Lead Wire ⊕red ⊖black (Sensor) yellow (Control) brown
- Storage Temperature -30°C to +70°C (Non-condensing)

60×60×25mm (Mass : 90g) **G type**

Specifications

The following nos. **have PWM controls, pulse sensors, and ribs.** For ribless, append "1" to the model no.

Model No.	Rated Voltage [V]	Operating Voltage Range [V]	PWM duty cycle※ [%]	Rated Current [A]	Rated Input [W]	Rated Speed [min ⁻¹]	Max. Air Flow [m ³ /min] [CFM]	Max. Static Pressure [Pa] [inchH ₂ O]	SPL [dB(A)]	Operating Temperature Range [°C]	Expected Life ^(ref) [h]
9G0612P4S001	12	10.2 to 13.8	100	0.67	8.04	11,000	1.4 49.4	300 1.20	53	-20 to +70	40,000/60°C (70,000/40°C)
			0	0.07	0.84	3,300	0.42 14.8	27 0.11	19		
9G0612P4H001	12	10.2 to 13.8	100	0.50	6.00	9,500	1.21 42.7	224 0.90	49		
			0	0.06	0.72	2,850	0.36 12.7	20.2 0.08	18		
9G0624P4S001	24	20.4 to 27.6	100	0.34	8.16	11,000	1.4 49.4	300 1.20	53		
			0	0.04	0.96	3,300	0.42 14.8	27 0.11	19		
9G0624P4H001	24	20.4 to 27.6	100	0.25	6.00	9,500	1.21 42.7	224 0.90	49		
			0	0.04	0.96	2,850	0.36 12.7	20.2 0.08	18		
9G0648P4S001	48	36 to 72	100	0.18	8.64	11,000	1.4 49.4	305 1.22	53		
			0	0.02	0.96	3,300	0.42 14.8	27.4 0.11	19		

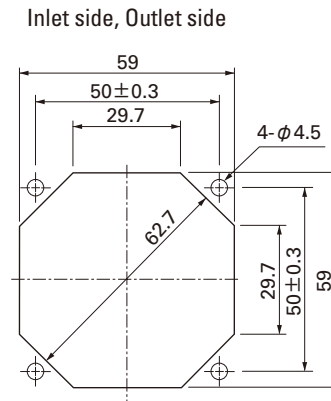
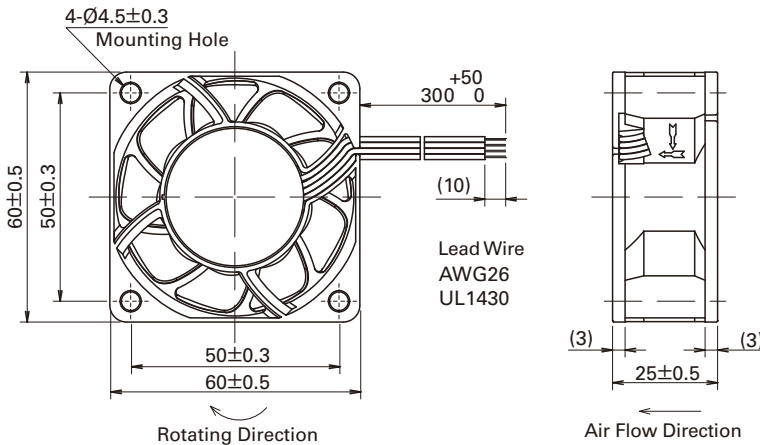
Note: Expected life at 40°C ambient is just reference value.

※PWM Frequency : 25kHz

- Available options: ⇒ **Without Sensor** **Pulse Sensor**

Dimensions (Unit : mm) (With ribs)

Reference dimension of mounting holes and vent opening (Unit : mm)



Options (Unit : mm)

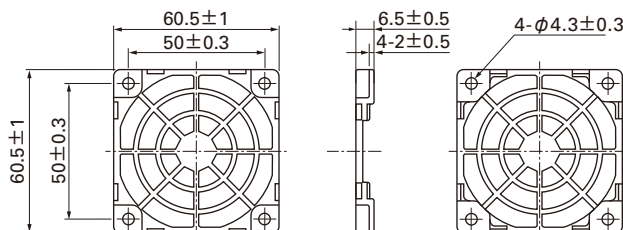
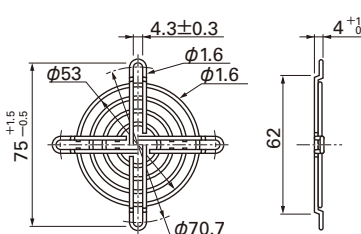
Finger guards

Model : 109-139E Surface treatment : Nickel-chrome plating (silver)
 : 109-139H : Cation electropainting (black)

Resin finger guards

Model : 109-1003G

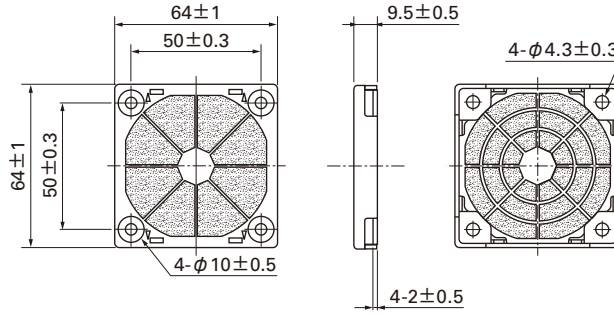
Inlet side, Outlet side



Options (Unit : mm)

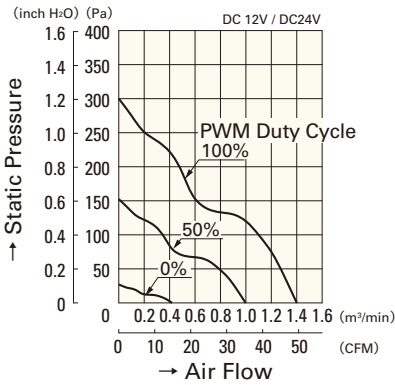
Resin filter kits

Model : 109-1003F13 (13PPI), 109-1003F20 (20PPI)
 : 109-1003F30 (30PPI), 109-1003F40 (40PPI)

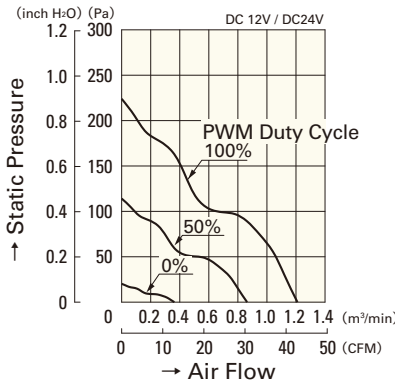


Air Flow - Static Pressure Characteristics

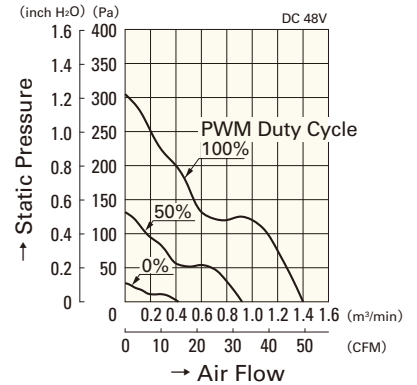
PWM Duty Cycle



9G0612P4S001
9G0624P4S001

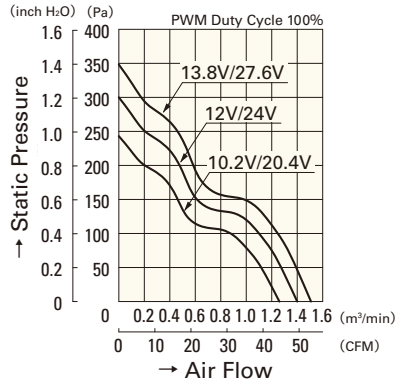


9G0612P4H001
9G0624P4H001

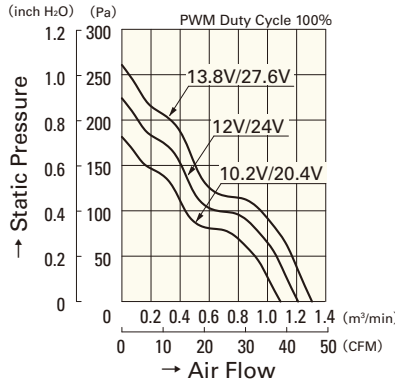


9G0648P4S001

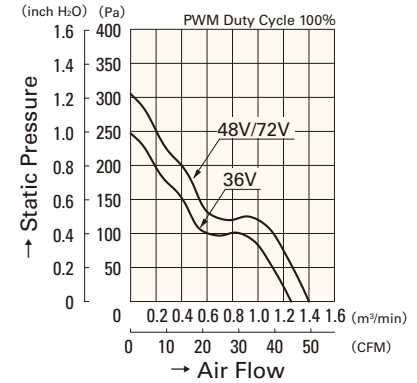
Operating Voltage Range



9G0612P4S001
9G0624P4S001

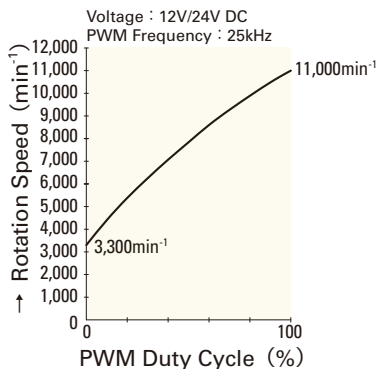


9G0612P4H001
9G0624P4H001

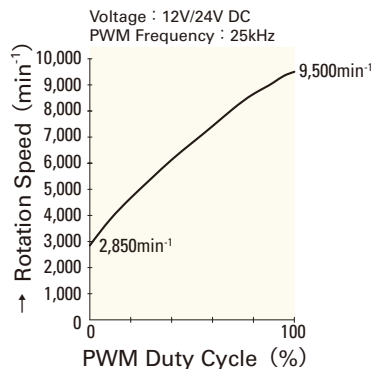


9G0648P4S001

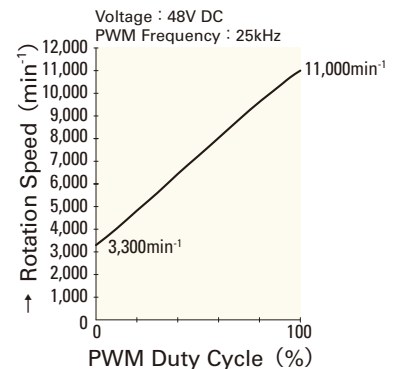
PWM Duty - Speed Characteristics Example



9G0612P4S001
9G0624P4S001



9G0612P4H001
9G0624P4H001



9G0648P4S001