

**60** mm sq.

# San Ace 60

28mm thick, 38mm thick



## General Specifications

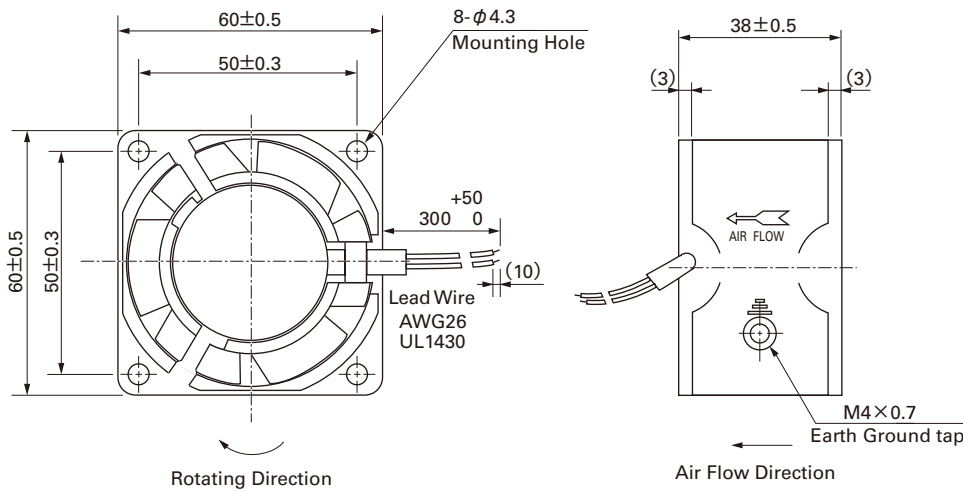
- Material ..... Frame: Aluminum, Impeller:Plastics (Flammability: UL94V-1)
- Expected Life ..... Refer to specifications (L10: Survival rate: 90% at 60°C ,  
rated voltage, and continuously run in a free air state)
- Dielectric Strength ..... 50/60Hz 1,500VAC 1minute (between lead conductor and frame)
- Lead Wire ..... Black, 2pcs
- Storage Temperature ..... -30°C to +70°C (Non-condensing)
- Operating Voltage Range ..... Voltage of each model ± 10%

**60×60×38mm** (Mass : 170g)

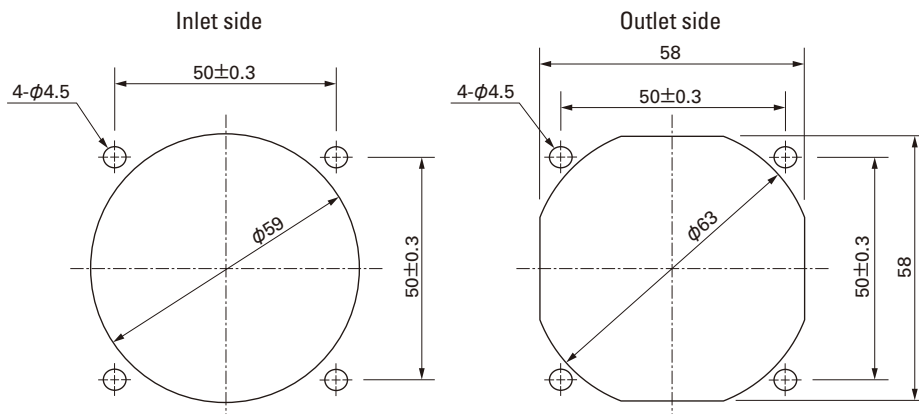
## Specifications

| Model No. | Voltage [V] | Frequency [Hz] | Input [W] | Current [A] | Locked Rotor Current [A] | Rated Speed [min <sup>-1</sup> ] | Max. Air Flow [m <sup>3</sup> /min] [CFM] | Max. Static Pressure [Pa] [inchH <sub>2</sub> O] | SPL [dB(A)] | Operating Temperature [°C] | Expected Life [h] |
|-----------|-------------|----------------|-----------|-------------|--------------------------|----------------------------------|---|--|-------------|----------------------------|-------------------|
| 109-130   | 100         | 50/60          | 6/5       | 0.08/0.07   | 0.08/0.07                | 2,600/3,150                      | 0.33/0.4 11.7/14.1                        | 16.3/23.3 0.065/0.094                            | 28/30       | -30 to +60                 | 25,000            |
| 109-133   | 115         |                |           | 0.07/0.06   | 0.07/0.06                |                                  |   |  |             |                            |                   |

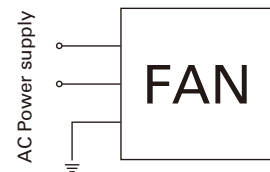
## Dimensions (Unit : mm)



## Reference Dimension of Mounting Holes and Vent Opening (Unit : mm)



## Wiring Diagram

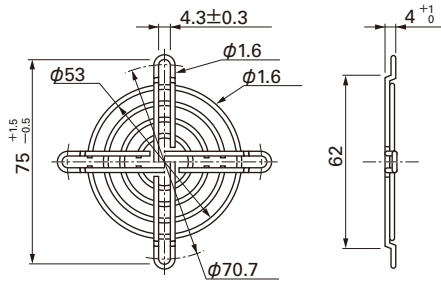


Options (Unit : mm)

**Finger guards**

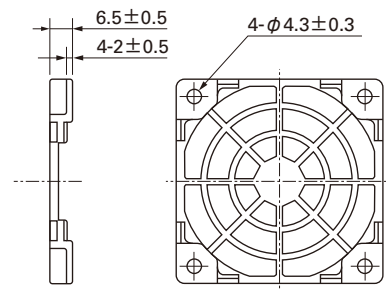
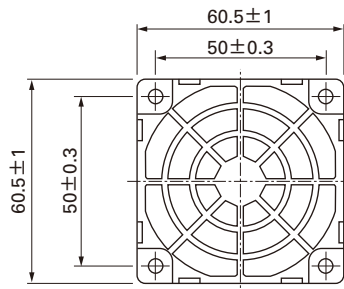
Model : 109-139E Surface treatment : Nickel-chrome plating (silver) Color : Silver  
 : 109-139H : Cation electropainting (black)

Inlet side, Outlet side



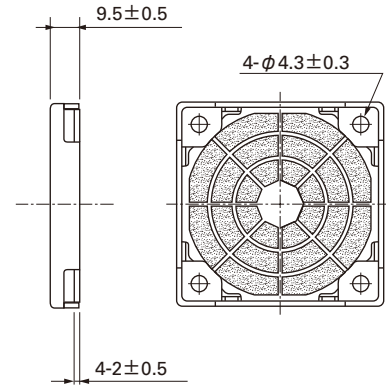
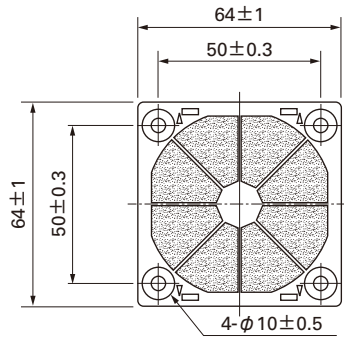
**Resin finger guards**

Model : 109-1003G

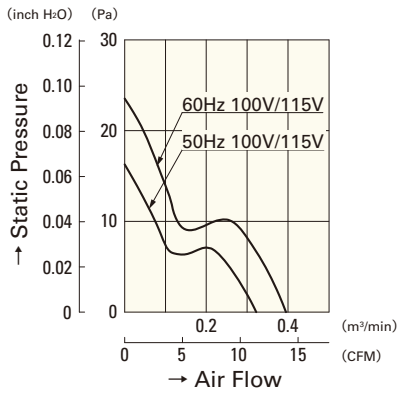


**Resin filter kits**

Model : 109-1003F13 (13PPI), 109-1003F20 (20PPI)  
 : 109-1003F30 (30PPI), 109-1003F40 (40PPI)



**Air Flow - Static Pressure Characteristics**



**109-130**

**109-133**