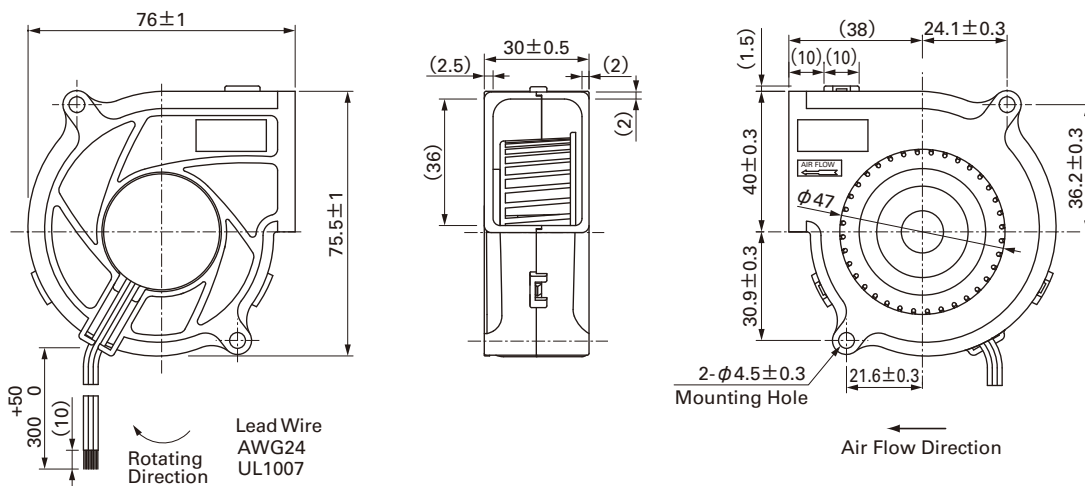


76mm**San Ace B76**20mm thick
30mm thick**General Specifications**

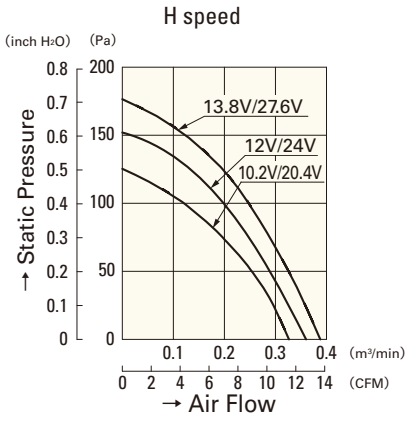
- Material Frame: Plastics (Flammability: UL94V-0),
Impeller: Plastics (Flammability: UL94V-1)
- Expected Life Refer to specifications (L10:Survival rate: 90% at 60°C ,
rated voltage, and continuously run in a free air state)
- Lead Wire ⊕red ⊖black or blue (Sensor) yellow
- Storage Temperature -30°C to +70°C (Non-condensing)

76mm×30mm [Mass : 100g]**Specifications** The following nos. **have pulse sensors.**

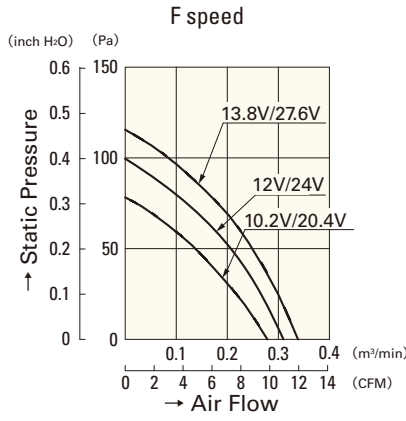
Model No.	Rated Voltage [V]	Operating Voltage Range [V]	Rated Current [A]	Rated Input [W]	Rated Speed [min ⁻¹]	Max. Air Flow [m ³ /min] [CFM]	Max. Static Pressure [Pa] [inchH ₂ O]	SPL [dB(A)]	Operating Temperature [°C]	Expected Life [h]
109BD12HC2	12	10.2 to 13.8	0.37	4.44	3,000	0.36 12.7	151.9 0.610	41.5	-20 to +60	40,000
109BD12FC2			0.27	3.24	2,600	0.31 10.9	98 0.394	37	-20 to +70	
109BD12MC2			0.14	1.68	2,100	0.25 8.8	58.8 0.236	32.5	-20 to +60	
109BD24HC2	24	20.4 to 27.6	0.17	4.08	3,000	0.36 12.7	151.9 0.610	41.5	-20 to +60	
109BD24FC2			0.14	3.36	2,600	0.31 10.9	98 0.394	37	-20 to +70	
109BD24MC2			0.10	2.40	2,100	0.25 8.8	58.8 0.236	32.5	-20 to +70	

Available options: ⇒ **Without Sensor**Please inquire as the availability of these functions depend on the model. ⇒ **Lock Sensor****Dimensions (Unit : mm)**

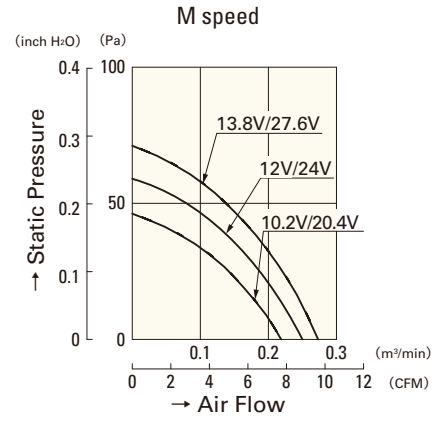
Air Flow - Static Pressure Characteristics



109BD12HC2
109BD24HC2



109BD12FC2
109BD24FC2



109BD12MC2
109BD24MC2

Blower 76mm