

38mm sq.

San Ace 38

48mm thick (CRA type)



General Specifications

- Material Frame: Plastics (Flammability: UL94V-0),
Impeller: Plastics (Flammability: UL94V-1)
- Expected Life Refer to specifications (L10:Survival rate:90% at 60°C ,
rated voltage, and continuously run in a free air state)
- Lead Wire Inlet ⊕red ⊖black (Sensor) yellow (Control) brown
Outlet ⊕orange ⊖gray (Sensor) purple (Control) white
- Storage Temperature -30°C to +70°C (Non-condensing)

38×38×48mm [Mass : 80g] **CRA type**

Specifications

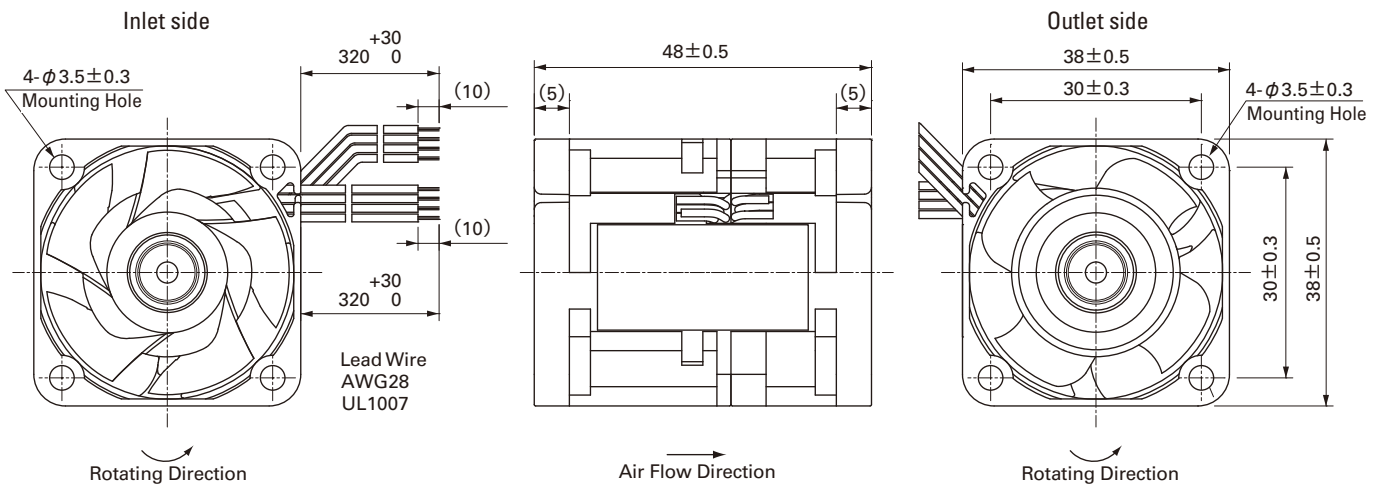
The following nos. have PWM controls and pulse sensors.

Model No.	Rated Voltage [V]	Operating Voltage Range [V]	PWM duty cycle※ [%]	Rated Current [A]	Rated Input [W]	Rated Speed [min ²] Inlet Outlet	Max. Air Flow [m ³ /min] [CFM]	Max. Static Pressure [Pa] [inchH ₂ O]	SPL [dB(A)]	Operating Temperature [°C]	Expected Life [h]
9CRA0312P4K03	12	10.8 to 13.2	100	1.5	18.0	17,600 14,520	0.77 27.2	700.0 2.81	64	-20 to +70	40,000
			0	0.2	2.4	5,280 4,200	0.22 7.8	54.9 0.22	33		
9CRA0312P4J03			100	1.1	13.2	16,000 13,200	0.7 24.7	560.0 2.25	62		
			0	0.18	2.2	4,800 3,960	0.21 7.4	50.4 0.20	31		

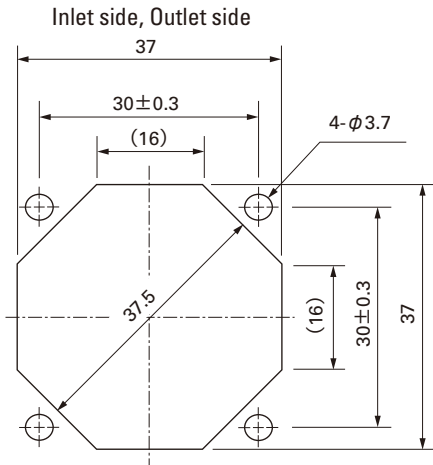
Available options: ⇒ **Without Sensor** **Pulse Sensor**

※PWM Frequency : 25kHz

Dimensions (Unit : mm)



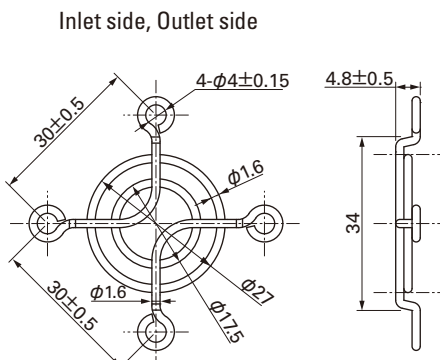
Reference dimension of mounting holes and vent opening (Unit : mm)



Options (Unit : mm)

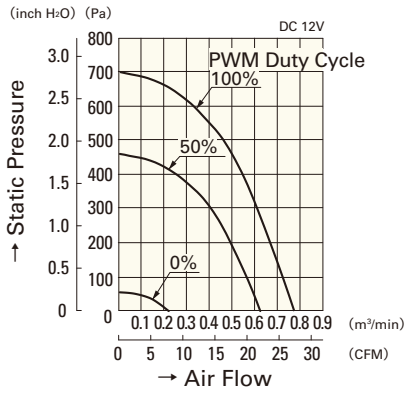
Finger guards

Model : 109-1065 Surface treatment : Nickel-chrome plating (silver) Color

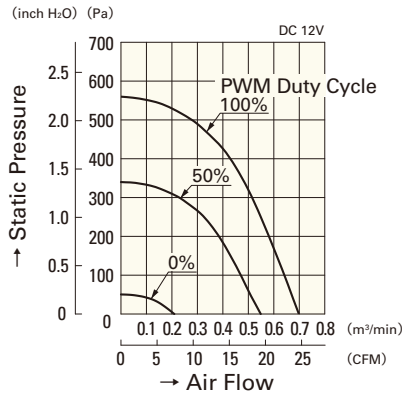


Air Flow - Static Pressure Characteristics

PWM Duty Cycle

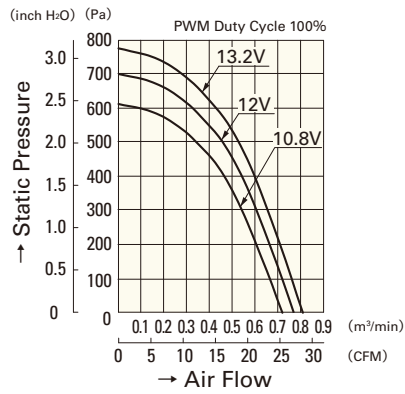


9CRA0312P4K03

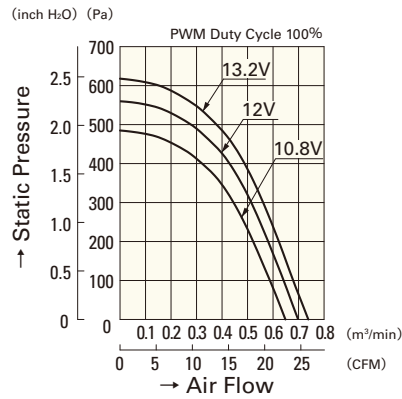


9CRA0312P4J03

Operating Voltage Range

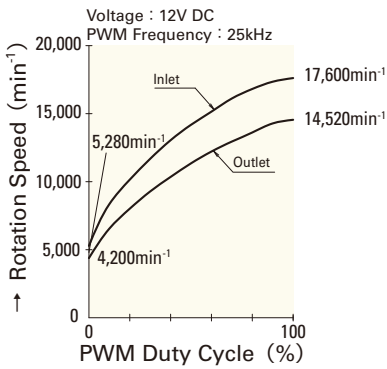


9CRA0312P4K03

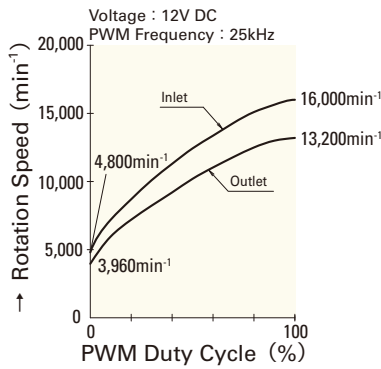


9CRA0312P4J03

PWM Duty - Speed Characteristics Example



9CRA0312P4K03



9CRA0312P4J03