

40 mm sq.

San Ace 40

48mm thick (CRA type), 56mm thick (CRB type)
 56mm thick (CRF type), 56mm thick (CRD type)
 56mm thick (CRE type), 56mm thick (CRA type)



General Specifications

- Material Frame: Plastics (Flammability: UL94V-0),
 Impeller: Plastics (Flammability: UL94V-1)
- Expected Life Refer to specifications (L10:Survival rate:90% at 60°C ,
 rated voltage, and continuously run in a free air state)
- Lead Wire Inlet ⊕red ⊖black (Sensor) yellow (Control) brown
 Outlet ⊕orange ⊖gray (Sensor) purple (Control) white
- Storage Temperature -30°C to +70°C (Non-condensing)

40×40×48mm (Mass : 80g) **CRA type**

Specifications

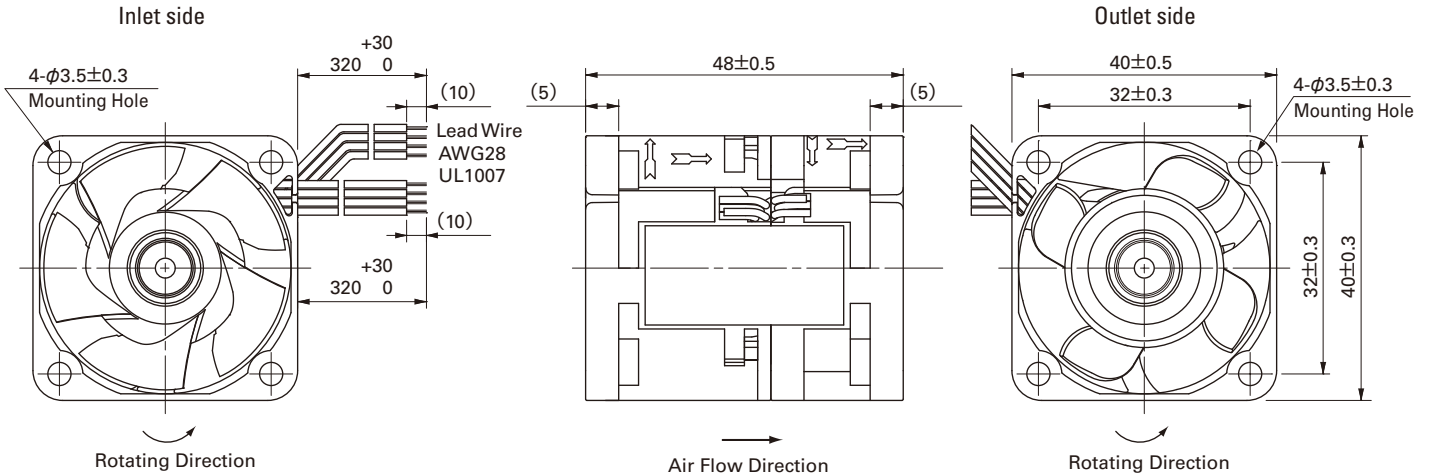
The following nos. have PWM controls and pulse sensors.

Model No.	Rated Voltage [V]	Operating Voltage Range [V]	PWM duty cycle※ [%]	Rated Current [A]	Rated Input [W]	Rated Speed [min ⁻¹]		Max. Air Flow [m ³ /min] [CFM]		Max. Static Pressure [Pa] [inchH ₂ O]		SPL [dB(A)]	Operating Temperature [°C]	Expected Life [h]
						Inlet	Outlet							
9CRA0412P4K03	12	10.8 to 13.2	100	1.60	19.20	17,500	11,700	0.920	32.50	650.0	2.610	64	-20 to +70	40,000
			0	0.19	2.28	5,250	3,510	0.276	9.75	58.5	0.235	33		
9CRA0412P4J03			100	1.20	14.40	16,200	10,800	0.850	30.00	560.0	2.250	62		
			0	0.15	1.80	4,500	3,000	0.236	8.33	43.2	0.173	28		
9CRA0412P4G03			100	1.00	12.00	14,700	9,800	0.770	27.20	460.0	1.850	59		
			0	0.15	1.80	4,410	2,940	0.231	8.16	41.4	0.166	28		

※PWM Frequency : 25kHz

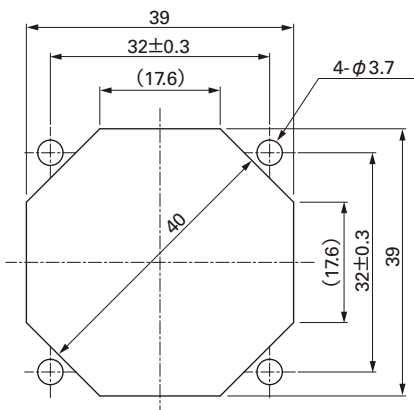
Available options: ⇒ **Without Sensor** **Pulse Sensor**

Dimensions (Unit : mm)



Reference dimension of mounting holes and vent opening (Unit : mm)

Inlet side, Outlet side



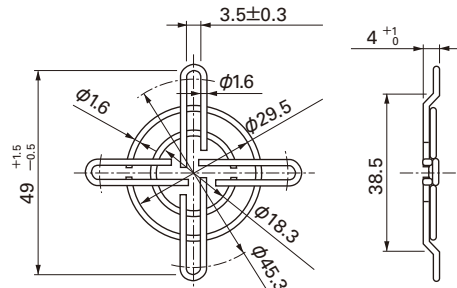
Options (Unit : mm)

Finger guards

Model : 109-059 Surface treatment : Nickel-chrome plating (silver)

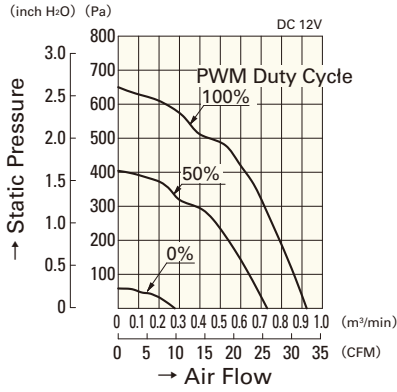
Color

Inlet side, Outlet side

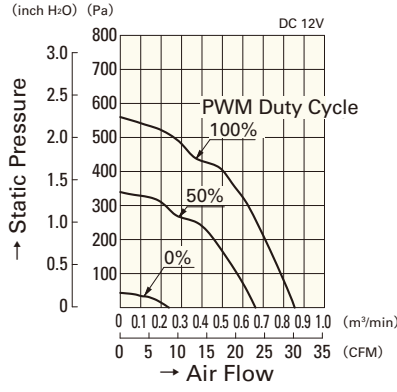


Air Flow - Static Pressure Characteristics

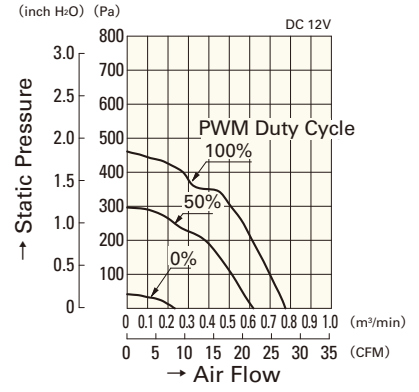
PWM Duty Cycle



9CRA0412P4K03

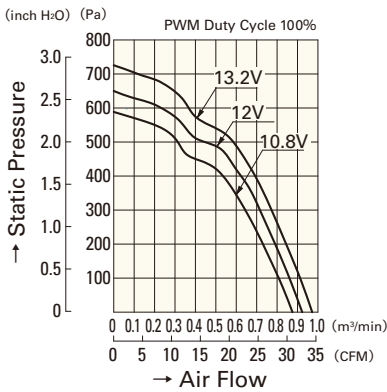


9CRA0412P4J03

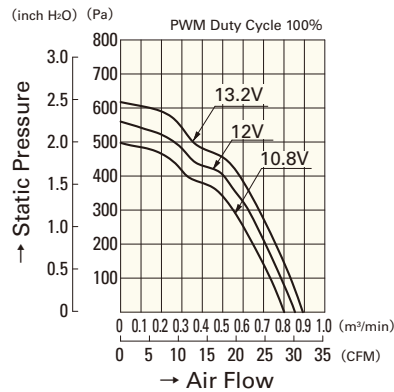


9CRA0412P4G03

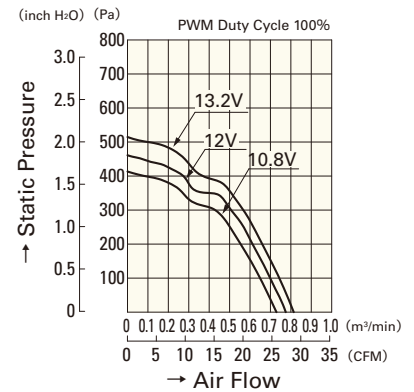
Operating Voltage Range



9CRA0412P4K03

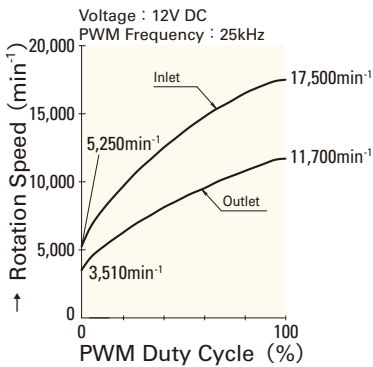


9CRA0412P4J03

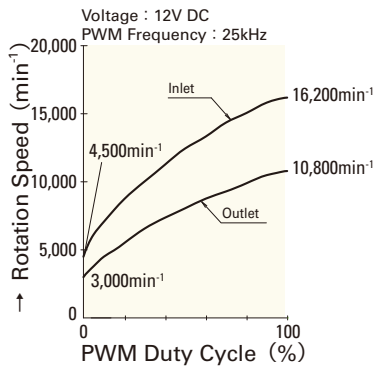


9CRA0412P4G03

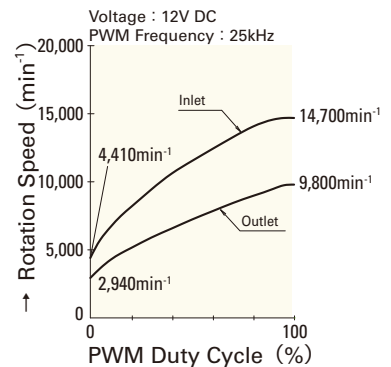
PWM Duty - Speed Characteristics Example



9CRA0412P4K03



9CRA0412P4J03



9CRA0412P4G03