

**80**mm sq.

# San Ace 80L

25mm thick



## General Specifications

- Material ..... Frame: Aluminum, Impeller: Plastics (Flammability: UL94V-1)
- Expected Life ..... Refer to specifications (L10:Survival rate:90% at 60°C , rated voltage, and continuously run in a free air state)
- Lead Wire ..... ⊕red ⊖black (Sensor) yellow (Control) brown
- Storage Temperature ..... -30°C to +70°C (Non-condensing)

**80×80×25mm** (Mass : 130g) **High Air Flow**

## Specifications

The following nos. **have PWM controls and pulse sensors.**

Model No.	Rated Voltage [V]	Operating Voltage Range [V]	PWM duty cycle <sup>Note1</sup> [%]	Rated Current [A]	Rated Input [W]	Rated Speed [min <sup>-1</sup> ]	Max. Air Flow [m <sup>3</sup> /min] [CFM]	Max. Static Pressure [Pa] [inchH <sub>2</sub> O]	SPL [dB(A)]	Operating Temperature [°C]	Expected Life [h]
9LG0812P4J001	12	10.8 to 13.2	100	0.6	7.2	7,400	2.07 73.0	177 0.71	49	-20 to +70	180,000
			20	0.06	0.72	1,800	0.50 17.6	10.4 0.04	16		
9LG0812P4G001			100	0.30	3.60	5,500	1.54 54.3	98 0.39	43		
			25	0.05	0.60	1,400	0.39 13.7	6.3 0.02	14		
9LG0812P4H001			100	0.12	1.44	3,700	1.03 36.3	44 0.17	31		
			25	0.04	0.48	1,100	0.30 10.5	3.9 0.01	13		
9LG0824P4J001	24	21.6 to 26.4	100	0.28	6.72	7,400	2.07 73.0	177 0.71	49		
			20	0.05	1.20	2,400	0.67 23.6	18.6 0.07	22		
9LG0824P4G001			100	0.14	3.36	5,500	1.54 54.3	98 0.39	43		
			20	0.02	0.48	1,200	0.33 11.6	4.6 0.01	13		
9LG0824P4H001			100	0.05	1.2	3,700	1.03 36.3	44 0.17	31		
			30	0.02	0.48	1,100	0.30 10.5	3.9 0.01	13		

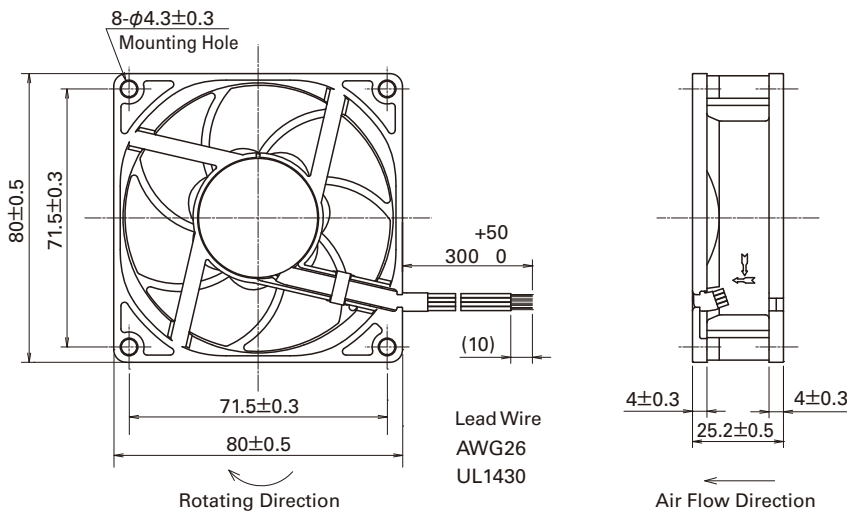
Note : Fan does not rotate when PWM duty cycle is 0%.

※PWM Frequency : 25kHz

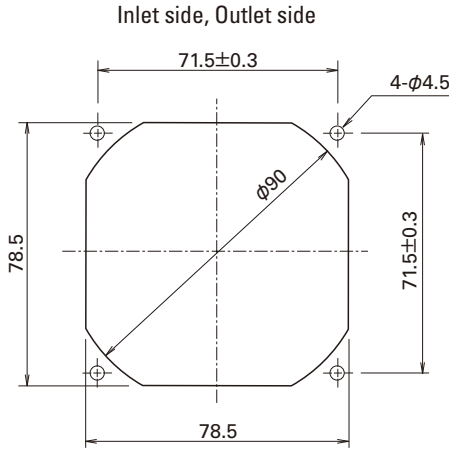
Available options: ⇒ **Without Sensor**

Please inquire as the availability of these functions depend on the model. ⇒ **Lock Sensor**

## Dimensions (Unit : mm)



**Reference dimension of mounting holes and vent opening (Unit : mm)**

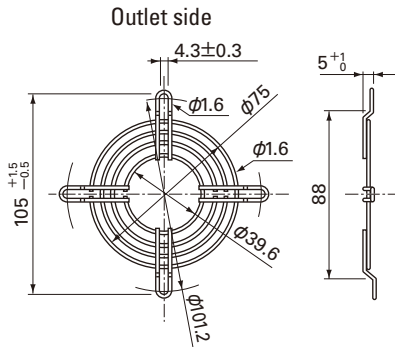


**Options (Unit : mm)**

**Finger guards**

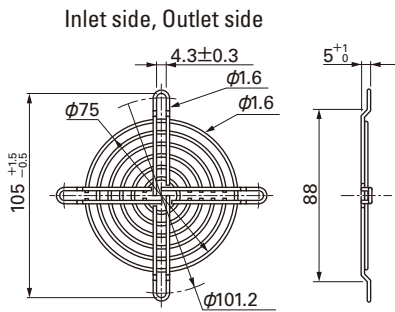
Model : 109-049C Surface treatment : Nickel-chrome plating (silver)

Color (silver)



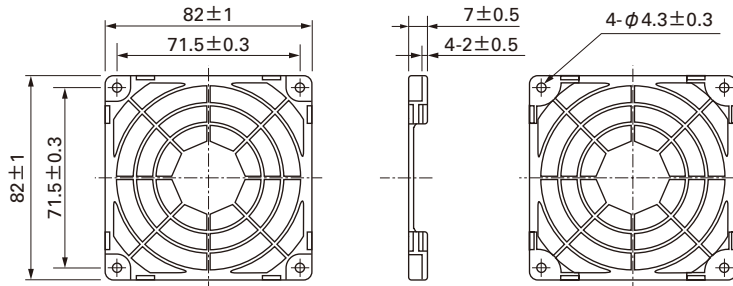
Model : 109-049E Surface treatment : Nickel-chrome plating (silver)  
: 109-049H : Cation electropainting (black)

Color (silver)



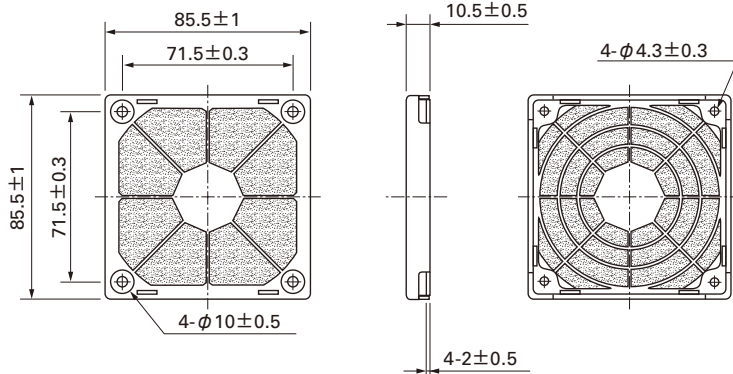
**Resin Finger guards**

Model : 109-1002G



**Resin filter kits**

Model : 109-1002F13 (13PPI), 109-1002F20 (20PPI)  
: 109-1002F30 (30PPI), 109-1002F40 (40PPI)



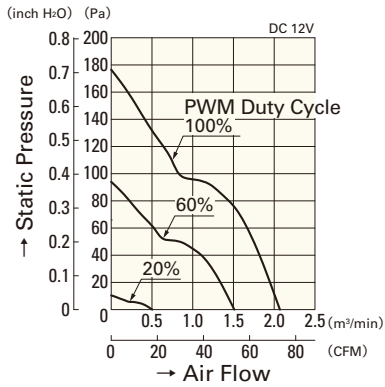
**80**mm sq.

# San Ace 80L

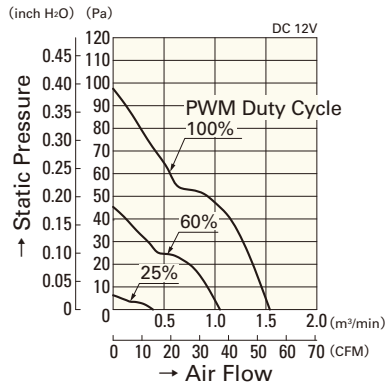
**80×80×25**mm [Mass : 130g]

## Air Flow - Static Pressure Characteristics

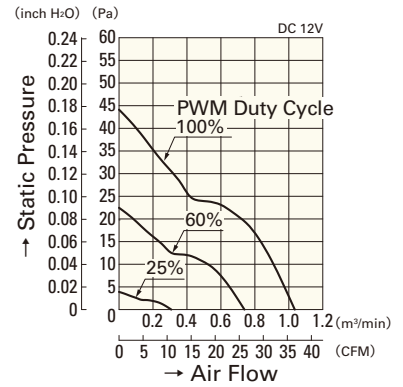
### PWM Duty Cycle



**9LG0812P4J001**

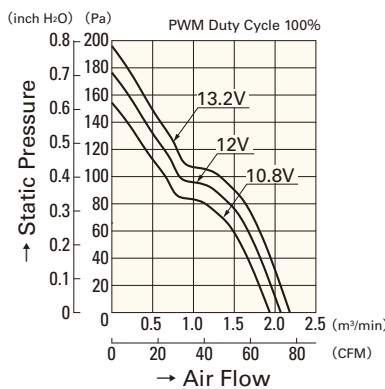


**9LG0812P4G001**

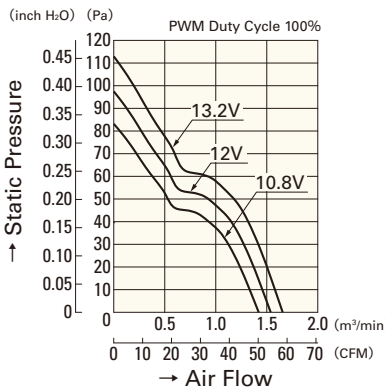


**9LG0812P4H001**

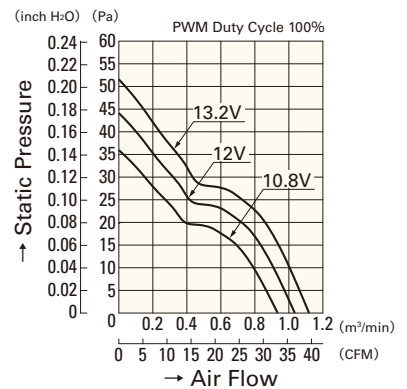
### Operating Voltage Range



**9LG0812P4J001**

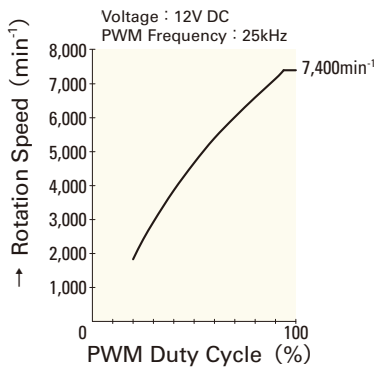


**9LG0812P4G001**

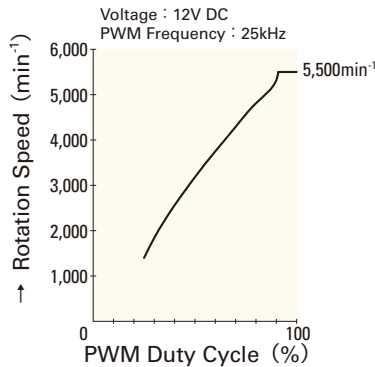


**9LG0812P4H001**

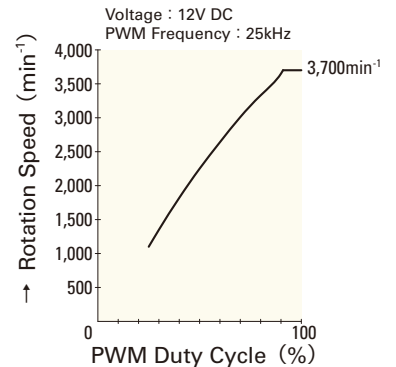
## PWM Duty - Speed Characteristics Example



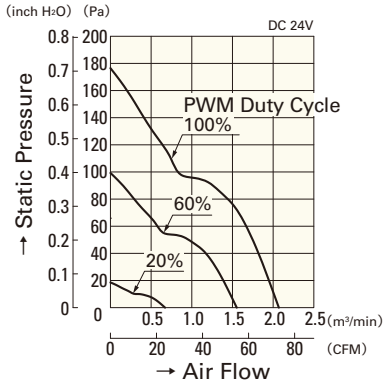
**9LG0812P4J001**



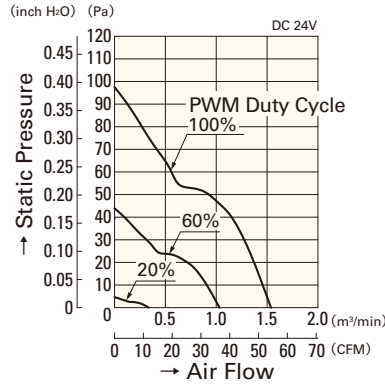
**9LG0812P4G001**



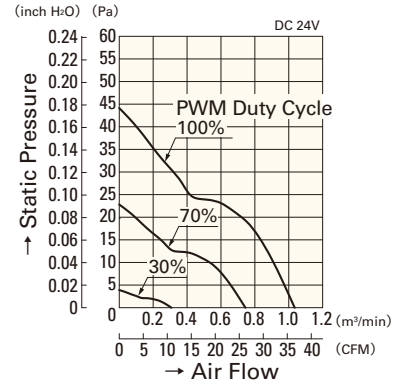
**9LG0812P4H001**



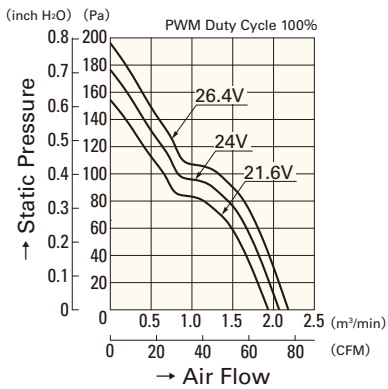
9LG0824P4J001



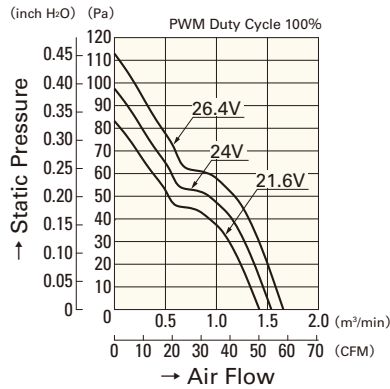
9LG0824P4G001



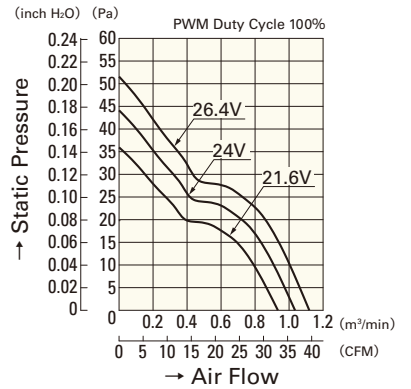
9LG0824P4H001



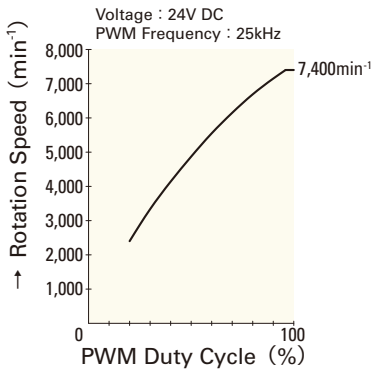
9LG0824P4J001



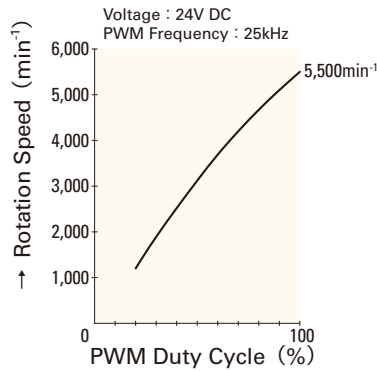
9LG0824P4G001



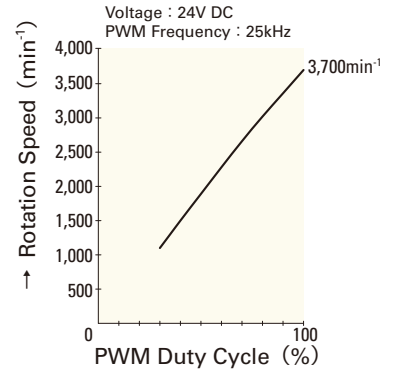
9LG0824P4H001



9LG0824P4J001



9LG0824P4G001



9LG0824P4H001