

φ 150mm

San Ace C150

35mm thick



General Specifications

- Material: Motor case: Aluminum, Impeller: Plastics (Flammability: UL94V-0)
- Expected Life: Refer to specifications (L10:Survival rate: 90% at 60°C, rated voltage, and continuously run in a free air state)
- Lead Wire: ⊕red ⊖black (Sensor) yellow (Control) brown
- Storage Temperature: -30°C to +70°C (Non-condensing)

φ 150mm × 35mm (Mass : 330g)

Specifications When our inletnozzle[Option(Model : 109-1081)]is mounted. The following nos. **have PWM controls and pulse sensors.**

Model No.	Rated Voltage [V]	Operating Voltage Range [V]	PWM duty cycle _{Max(Freq)} [%]	Rated Current [A]	Rated Input [W]	Rated Speed [min ⁻¹]	Max. Air Flow [m ³ /min] [CFM]	Max. Static Pressure [Pa] [inchH ₂ O]	SPL [dB(A)]	Operating Temperature [°C]	Expected Life [h]
9TN24P1H01	24	20.4 to 27.6	100	0.62	14.9	3,800	3.83 135	410 1.65	59	-20 to +70	40,000
9TN48P1H01	48	36.0 to 55.2	100	0.32	15.4	3,800	3.83 135	390 1.57	59		

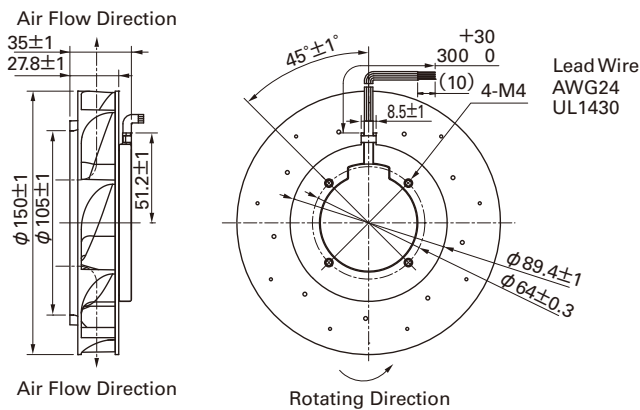
Note 1 : Fan does not rotate when PWM duty cycle is 0% .

Note 2 : Max input is 9TN24P1H01 : 21.4W, 9TN48P1H01 : 22W.

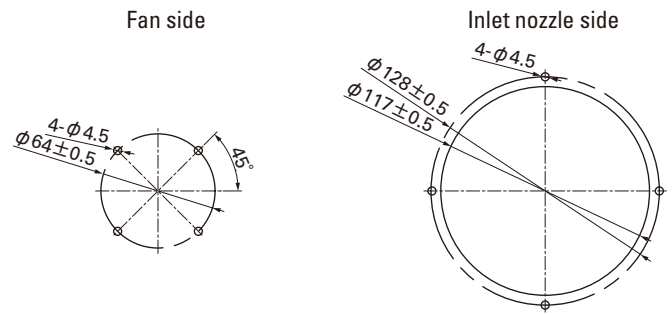
※PWM Frequency : 25kHz

- Available options: ⇒ **Without Sensor** **Pulse Sensor**

Dimensions (Unit : mm)



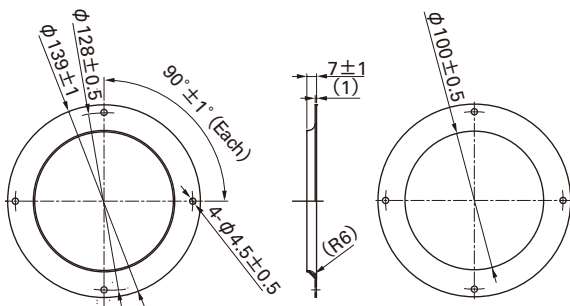
Reference dimension of mounting holes and vent opening (Unit : mm)



Options (Unit : mm)

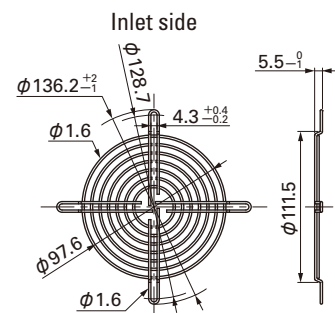
Inlet nozzle

Model : 109-1081 Material : Steel sheet Surface treatment : Electro nickel plating (silver) Color : 109-1081H : Steel sheet : Cation electropainting (black)



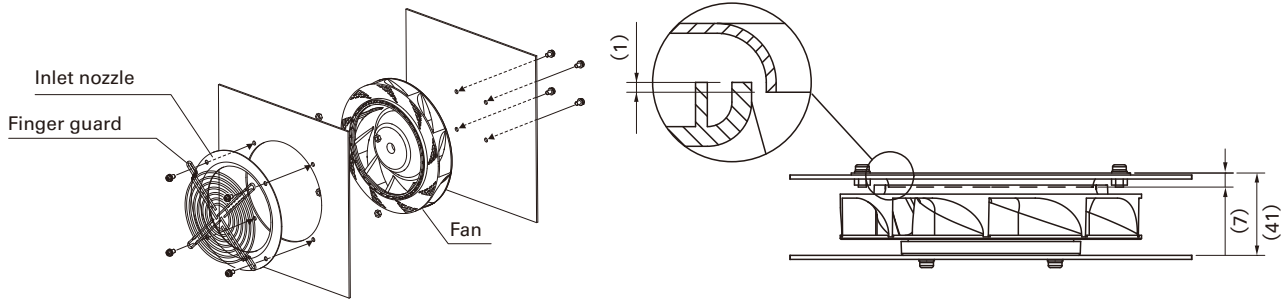
Finger guards

Model : 109-1104 Surface treatment : Nickel-chrome plating (silver) Color : 109-1104H : Cation electropainting (black)



Inlet nozzle : Nozzle mounted in fan inlet side to adjust the flow of introduced air

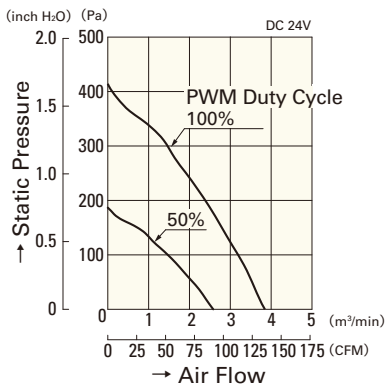
Reference diagram for mounting



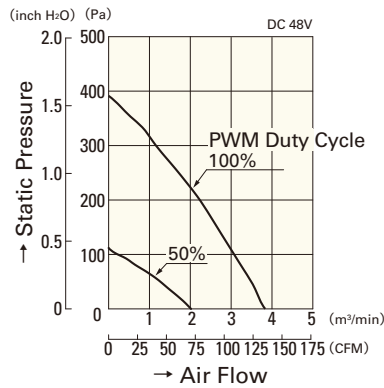
Screw length should be 4 mm or more but not exceeding 6 mm from fan edge face.

Air Flow - Static Pressure Characteristics

PWM Duty Cycle

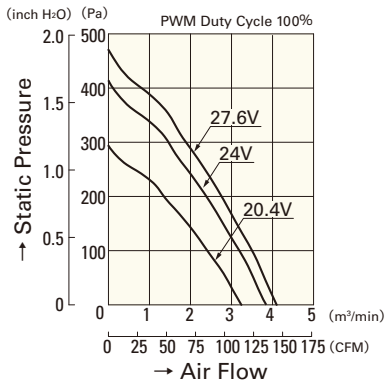


9TN24P1H01

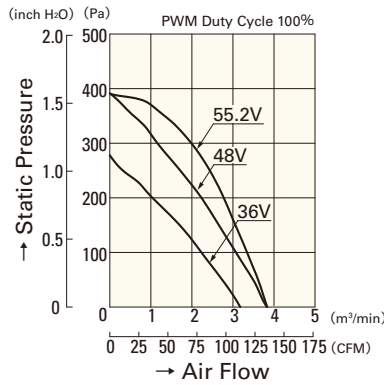


9TN48P1H01

Operating Voltage Range

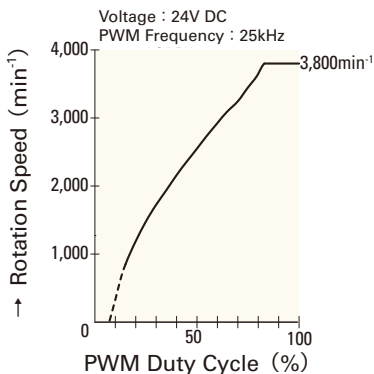


9TN24P1H01

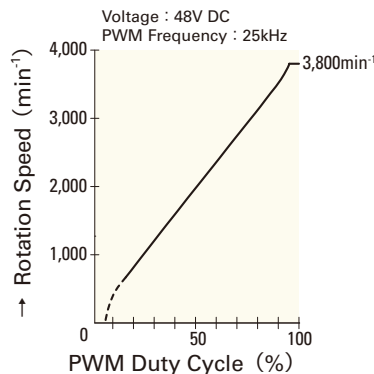


9TN48P1H01

PWM Duty - Speed Characteristics Example



9TN24P1H01



9TN48P1H01