

60mm sq.

San Ace 60

51mm thick (CR type), 56mm thick (CRA type)
76mm thick (CRA type)



General Specifications

- Material Frame: Plastics (Flammability: UL94V-0),
Impeller: Plastics (Flammability: UL94V-1)
- Expected Life Refer to specifications (L10:Survival rate:90% at 60°C ,
rated voltage, and continuously run in a free air state)
- Lead Wire Inlet ⊕red ⊖black (Sensor) yellow (Control) brown
Outlet ⊕orange ⊖gray (Sensor) purple (Control) white
- Storage Temperature -30°C to +70°C (Non-condensing)

60×60×51mm (Mass : 180g) **CR type**

Specifications

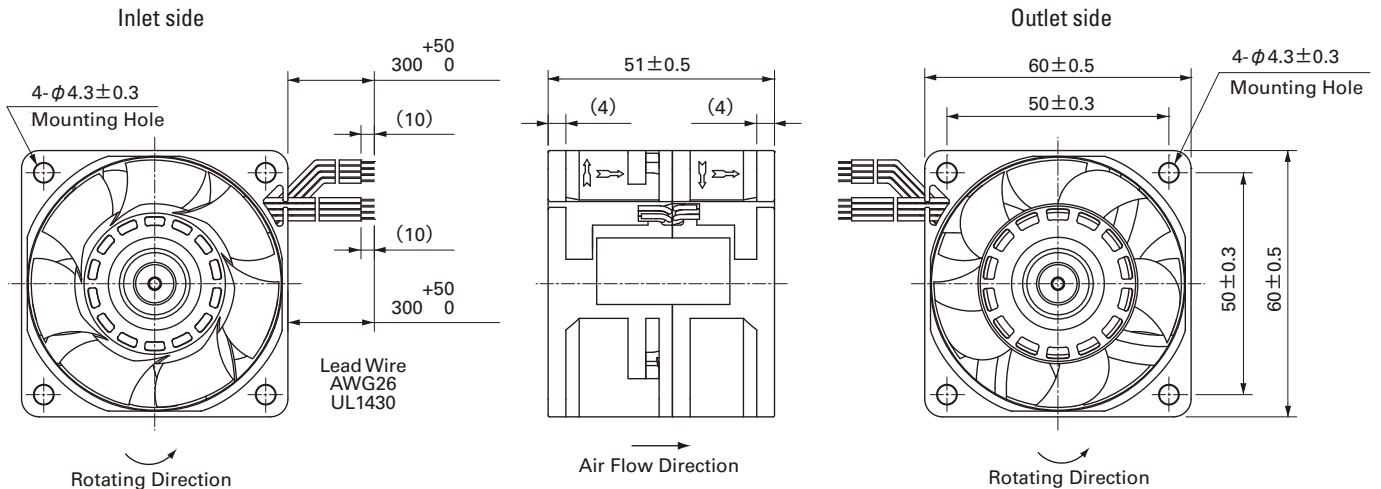
The following nos. have PWM controls and pulse sensors.

Model No.	Rated Voltage [V]	Operating Voltage Range [V]	PWM duty cycle% [%]	Rated Current [A]	Rated Input [W]	Rated Speed [min ⁻¹] Inlet Outlet	Max. Air Flow [m ³ /min] [CFM]	Max. Static Pressure [Pa] [inchH ₂ O]	SPL [dB(A)]	Operating Temperature [°C]	Expected Life [h]
9CR0612P5G03	12	10.8 to 13.2	100	2.7	32.4	11,500 9,000	2.03 71.7	600 2.41	68	-20 to +70	40,000
			0	0.22	2.64	3,000 2,300	0.48 16.9	40 0.16	34		
9CR0612P5H03			100	2.0	24.0	10,500 8,200	1.85 65.4	500 2.01	65		
			0	0.22	2.64	3,000 2,300	0.48 16.9	40 0.16	34		

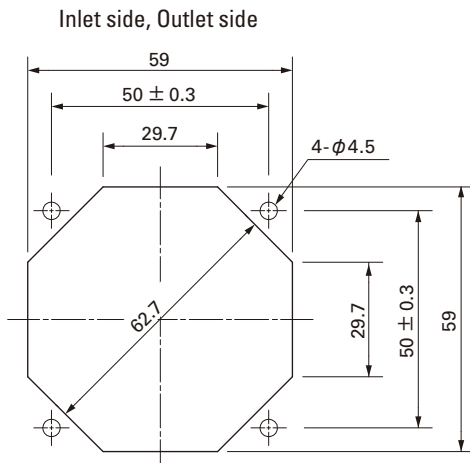
※PWM Frequency : 25kHz

Available options: ⇒ **Without Sensor** **Pulse Sensor**

Dimensions (Unit : mm)



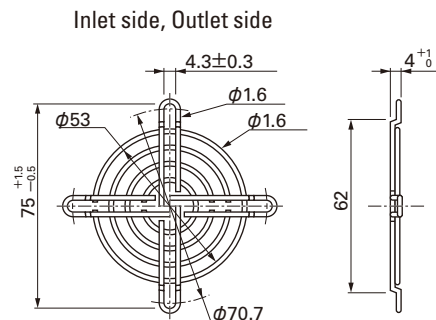
Reference dimension of mounting holes and vent opening (Unit : mm)



Options (Unit : mm)

Finger guards

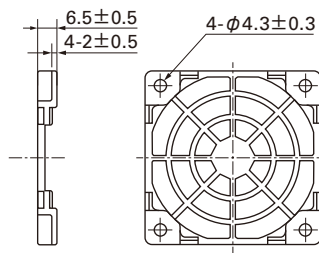
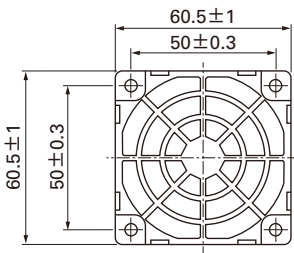
Model : 109-139E Surface treatment : Nickel-chrome plating (silver)
: 109-139H : Cation electropainting (black)



Options (Unit : mm)

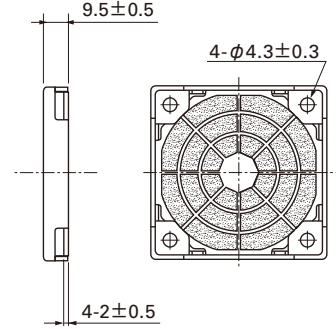
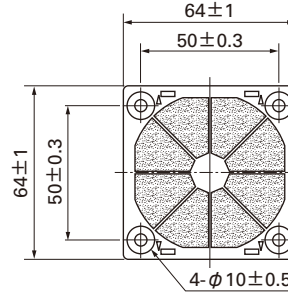
Resin finger guards

Model : 109-1003G



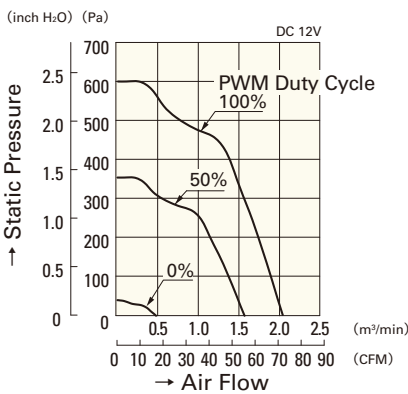
Resin filter kits

Model : 109-1003F13 (13PPI), 109-1003F20 (20PPI)
: 109-1003F30 (30PPI), 109-1003F40 (40PPI)

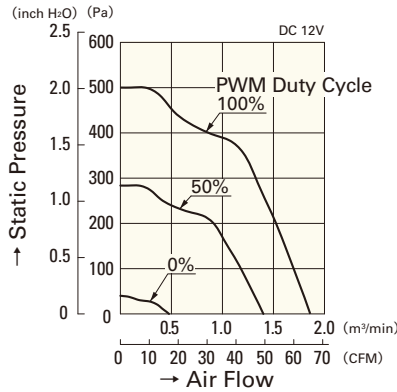


Air Flow - Static Pressure Characteristics

PWM Duty Cycle

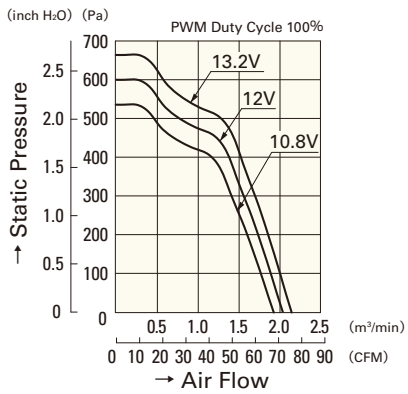


9CR0612P5G03

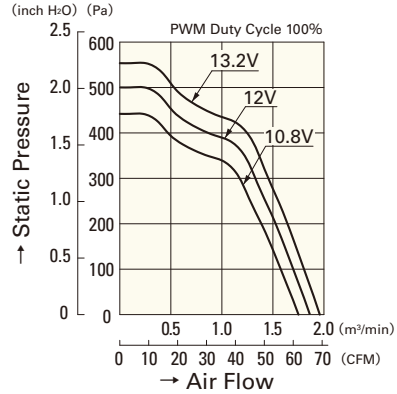


9CR0612P5H03

Operating Voltage Range

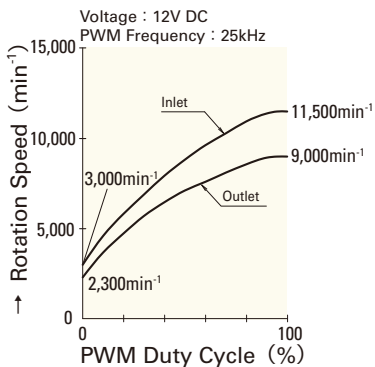


9CR0612P5G03

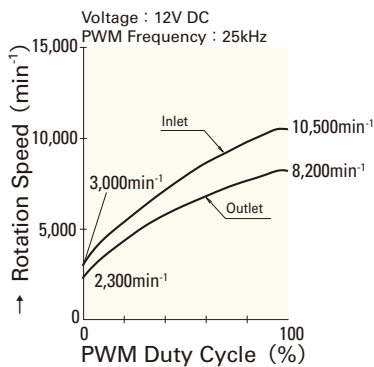


9CR0612P5H03

PWM Duty - Speed Characteristics Example



9CR0612P5G03



9CR0612P5H03