

60mm sq.

San Ace 60

51mm thick (CR type), 56mm thick (CRA type)
76mm thick (CRA type)



General Specifications

- Material Frame: Plastics (Flammability: UL94V-0),
Impeller: Plastics (Flammability: UL94V-1)
- Expected Life Refer to specifications (L10:Survival rate:90% at 60°C ,
rated voltage, and continuously run in a free air state)
- Lead Wire Inlet ⊕red ⊖black (Sensor) yellow (Control) brown
Outlet ⊕orange ⊖gray (Sensor) purple (Control) white
- Storage Temperature -30°C to +70°C (Non-condensing)

60×60×56mm (Mass : 200g) **CRA type**

Specifications

The following nos. have PWM controls and pulse sensors.

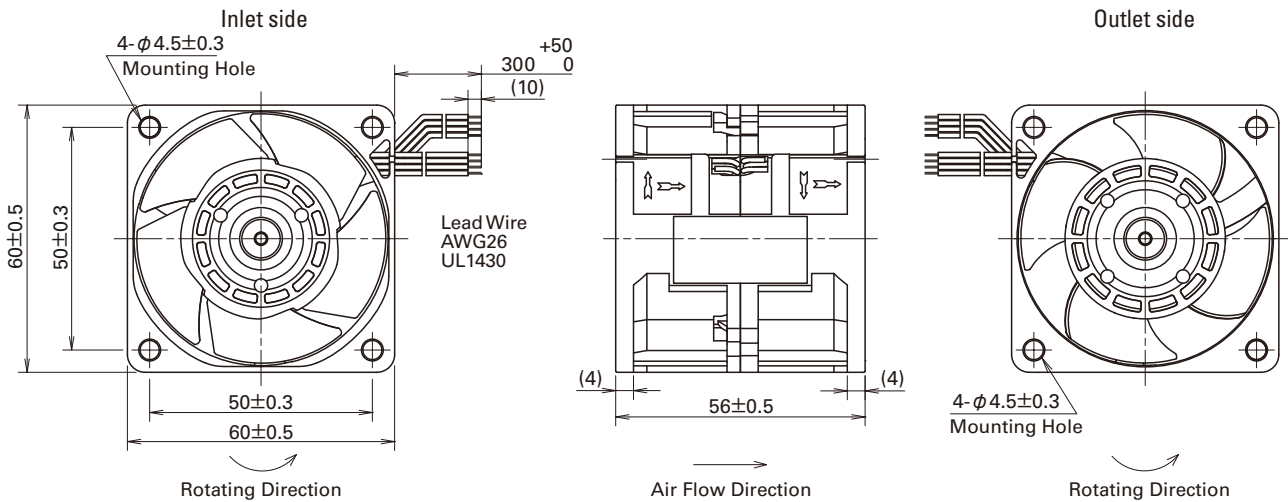
Model No.	Rated Voltage [V]	Operating Voltage Range [V]	PWM duty cycle※ [%]	Rated Current [A]	Rated Input [W]	Rated Speed [min ²] Inlet Outlet	Max. Air Flow [m ³ /min] [CFM]	Max. Static Pressure [Pa] [inchH ₂ O]	SPL [dB(A)]	Operating Temperature [°C]	Expected Life ^{nom} [h]
9CRA0612P6K001	12	10.8 to 13.2	100	3.10	37.2	18,300 15,800	2.28 80.5	1,130 4.54	73	-20 to +70	30,000/60°C
			0	0.17	2.0	3,800 3,300	0.47 16.6	49 0.20	35		
9CRA0612P6J001			100	2.30	27.6	16,800 14,500	2.10 74.2	950 3.82	70		
			0	0.15	1.8	3,800 3,300	0.47 16.6	49 0.20	35		
9CRA0612P6G001			100	1.30	15.6	13,500 11,400	1.65 58.3	620 2.49	65		
			0	0.10	1.2	3,000 2,500	0.36 12.7	31 0.12	29		

Note: Expected life at 40°C ambient is just reference value.

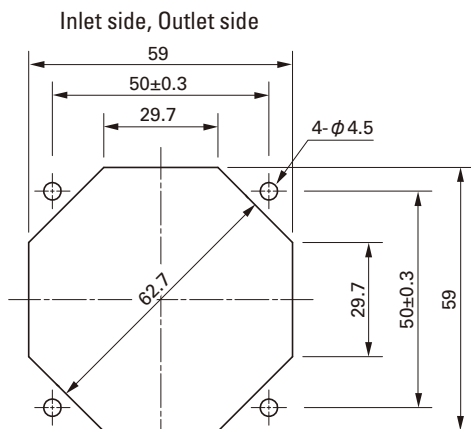
※PWM Frequency : 25kHz

Available options: ⇒ **Without Sensor** **Pulse Sensor**

Dimensions (Unit : mm)



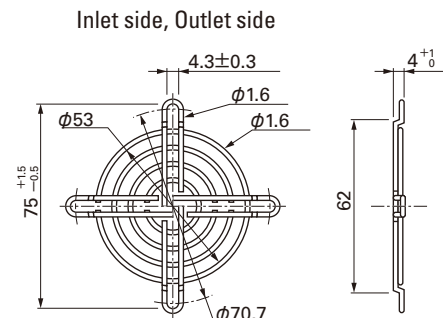
Reference dimension of mounting holes and vent opening (Unit : mm)



Options (Unit : mm)

Finger guards

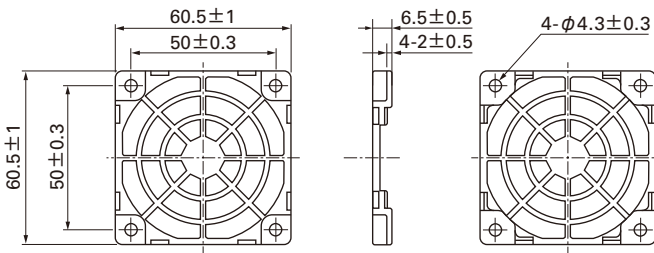
Model : 109-139E Surface treatment : Nickel-chrome plating (silver)
: 109-139H : Cation electropainting (black)



Options (Unit : mm)

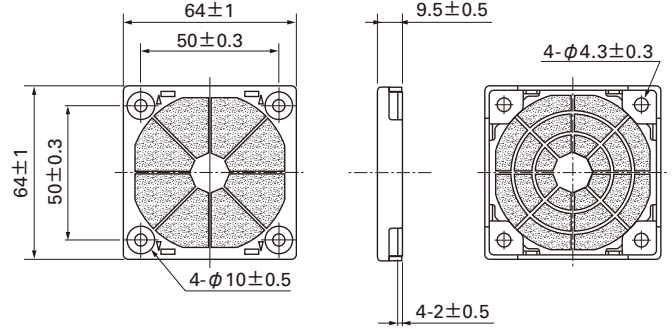
Resin finger guards

Model : 109-1003G



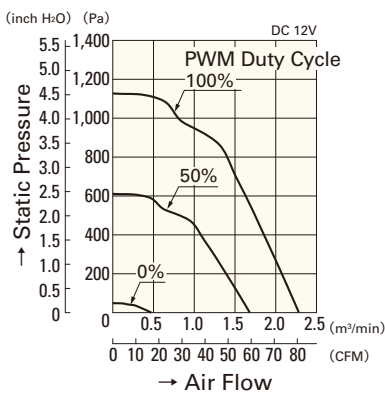
Resin filter kits

Model : 109-1003F13 (13PPI), 109-1003F20 (20PPI)
: 109-1003F30 (30PPI), 109-1003F40 (40PPI)

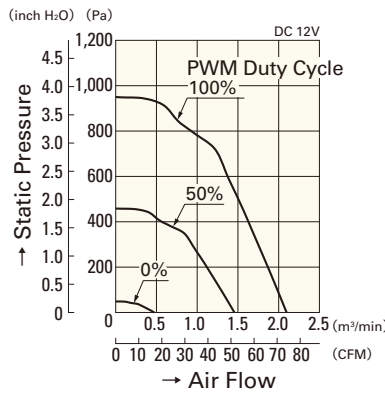


Air Flow - Static Pressure Characteristics

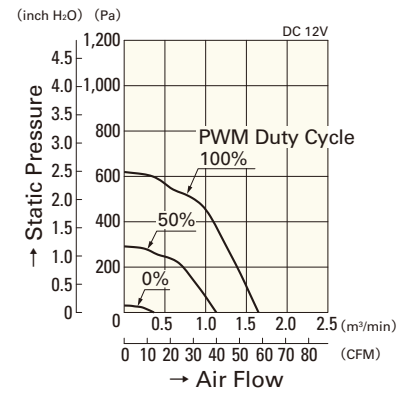
PWM Duty Cycle



9CRA0612P6K001

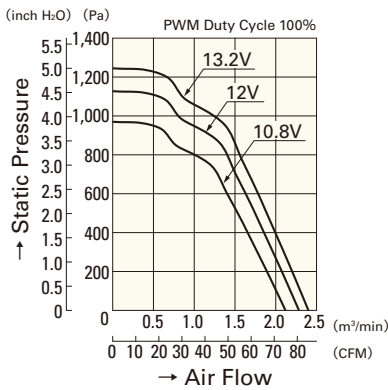


9CRA0612P6J001

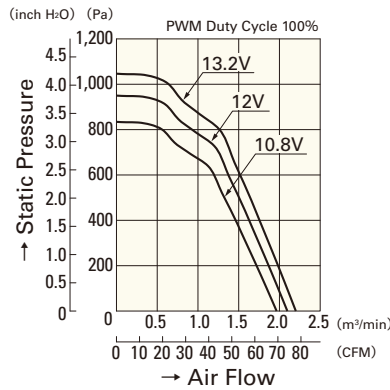


9CRA0612P6G001

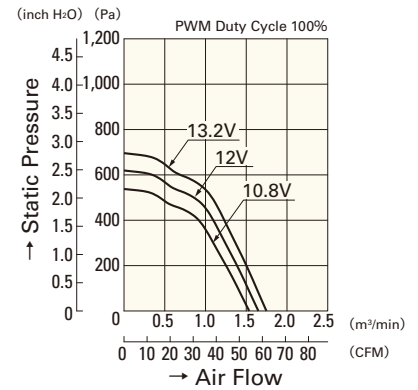
Operating Voltage Range



9CRA0612P6K001

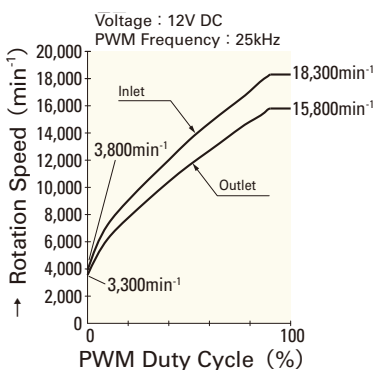


9CRA0612P6J001

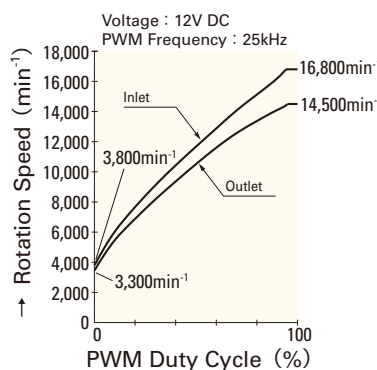


9CRA0612P6G001

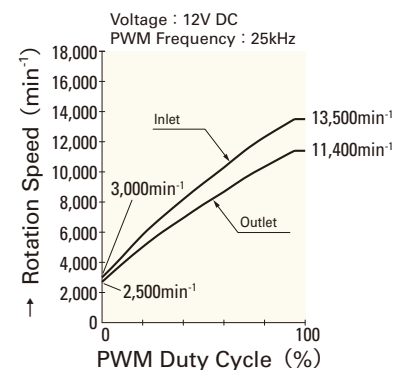
PWM Duty - Speed Characteristics Example



9CRA0612P6K001



9CRA0612P6J001



9CRA0612P6G001