

40mm sq.

San Ace 40

10mm thick, 15mm thick (GA type), 15mm thick, 20mm thick (GA type), 20mm thick, 28mm thick (GA type), **28mm thick (GE type)**, 28mm thick (GV type), 28mm thick



General Specifications

- Material Frame: Aluminum, Impeller: Plastics (Flammability: UL94V-0)
- Expected Life Refer to specifications (L10:Survival rate:90% at 60°C, rated voltage, and continuously run in a free air state)
- Lead Wire ⊕red ⊖black (Sensor) yellow (Control) brown
- Storage Temperature -30°C to +70°C (Non-condensing)

40×40×28mm (Mass : 55g) **Low vibration GE type**

Specifications

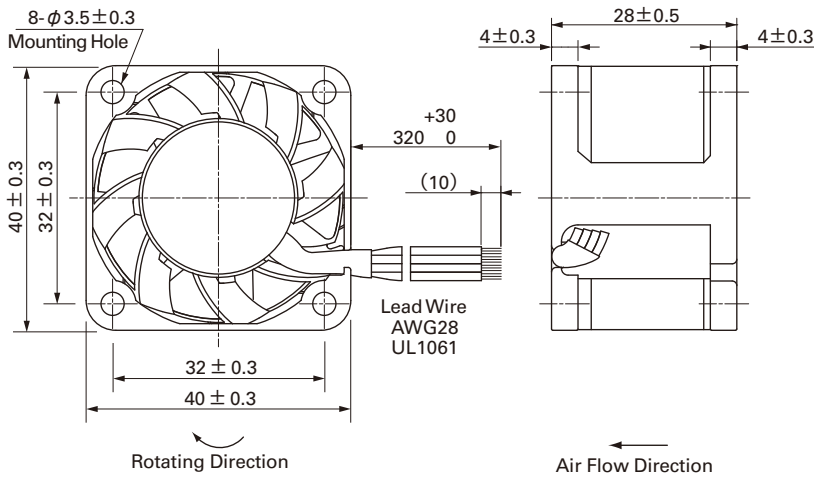
The following nos. **have PWM controls and pulse sensors.**

Model No.	Rated Voltage [V]	Operating Voltage Range [V]	PWM duty cycle※ [%]	Rated Current [A]	Rated Input [W]	Rated Speed [min ⁻¹]	Max. Air Flow [m ³ /min] [CFM]	Max. Static Pressure [Pa] [inchH ₂ O]	SPL [dB(A)]	Operating Temperature [°C]	Expected Life [h]
9GE0412P3K03	12	10.8 to 13.2	100	0.84	10.08	16,500	0.76 26.8	415 1.666	58	-20 to +60	40,000
			0	0.07	0.84	3,000	0.13 4.6	13 0.052	17		
9GE0412P3J03			100	0.65	7.8	15,000	0.69 24.4	343.0 1.378	56		
			0	0.05	0.6	2,650	0.12 4.2	10.7 0.042	14		
9GE0412P3G03			100	0.47	5.64	13,000	0.60 21.2	260 1.044	52		
			0	0.05	0.6	2,400	0.11 3.9	8.2 0.033	13		

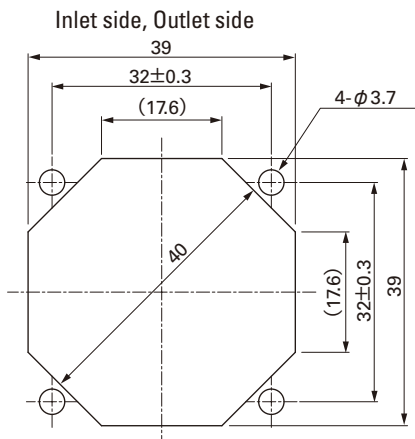
※PWM Frequency : 25kHz

- Available options: ⇒ **Without Sensor** **Pulse Sensor**
- Please inquire as the availability of these functions depend on the model. ⇒ **Lock Sensor**

Dimensions (Unit : mm)

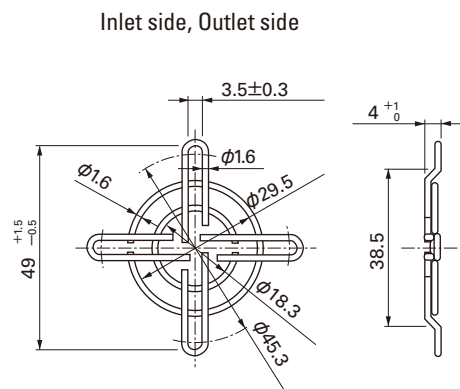


Reference dimension of mounting holes and vent opening (Unit : mm)



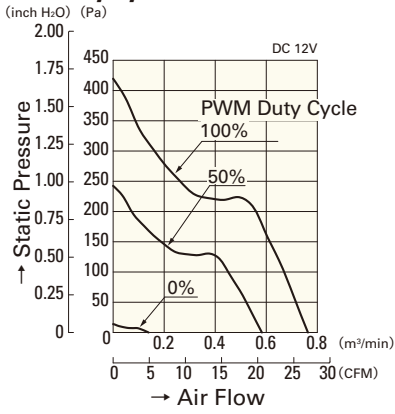
Options (Unit : mm)

Finger guards
 Model : 109-059 Surface treatment : Nickel-chrome plating (silver) Color

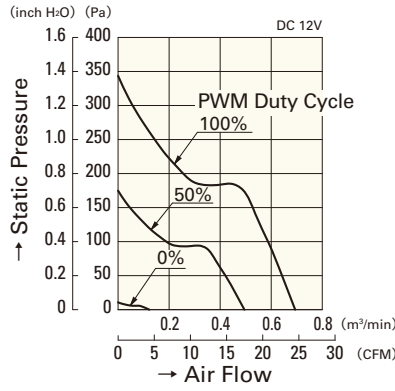


Air Flow - Static Pressure Characteristics

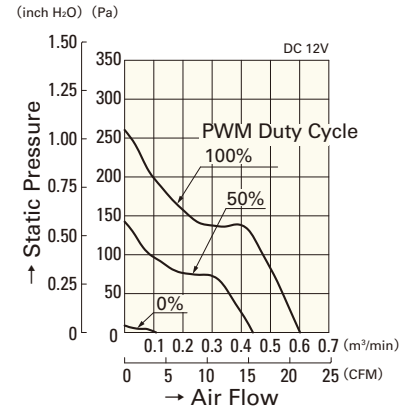
PWM Duty Cycle



9GE0412P3K03

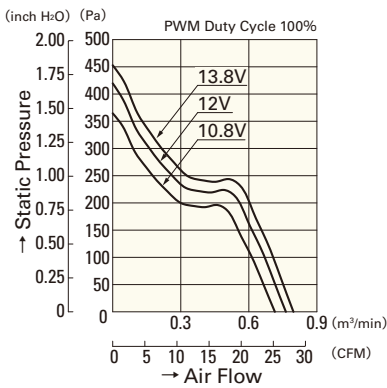


9GE0412P3J03

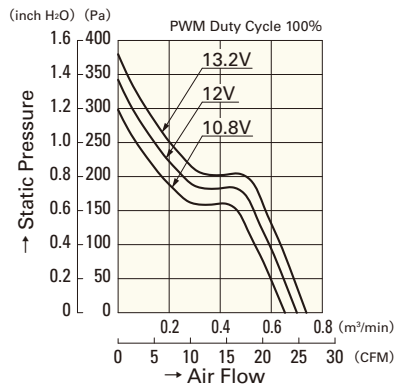


9GE0412P3G03

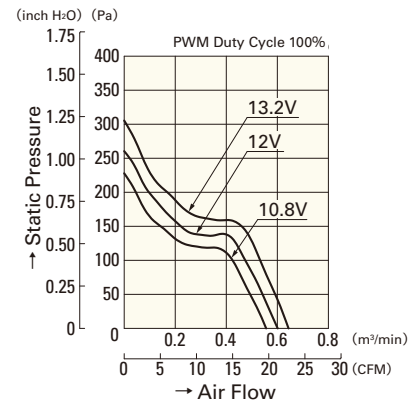
Operating Voltage Range



9GE0412P3K03

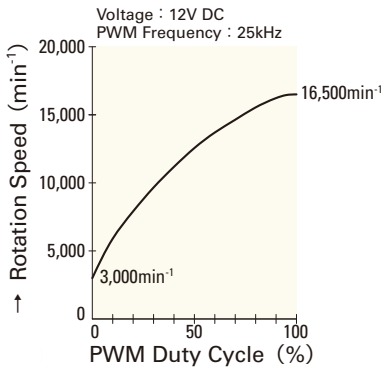


9GE0412P3J03

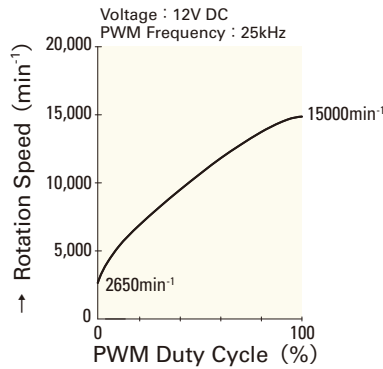


9GE0412P3G03

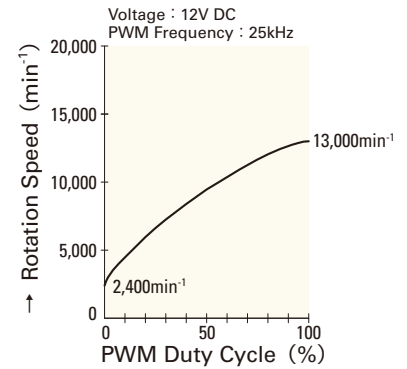
PWM Duty - Speed Characteristics Example



9GE0412P3K03



9GE0412P3J03



9GE0412P3G03