

**60**mm sq.

# San Ace 60

15mm thick (GA type), 15mm thick  
 20mm thick (GA type), 20mm thick  
 25mm thick (S type), 25mm thick (G type)  
 25mm thick, 25mm thick (San Cooler)  
 38mm thick (GA type), 38mm thick (GV type)  
 38mm thick (G type)



## General Specifications

- Material ..... Frame: Plastics (Flammability: UL94V-0),  
 Impeller: Plastics (Flammability: UL94V-1)
- Expected Life ..... Refer to specifications (L10:Survival rate:90% at 60°C ,  
 rated voltage, and continuously run in a free air state)
- Lead Wire ..... ⊕red ⊖black or blue (Sensor) yellow
- Storage Temperature ..... -30°C to +70°C (Non-condensing)

**60×60×20**mm [Mass : 90g]

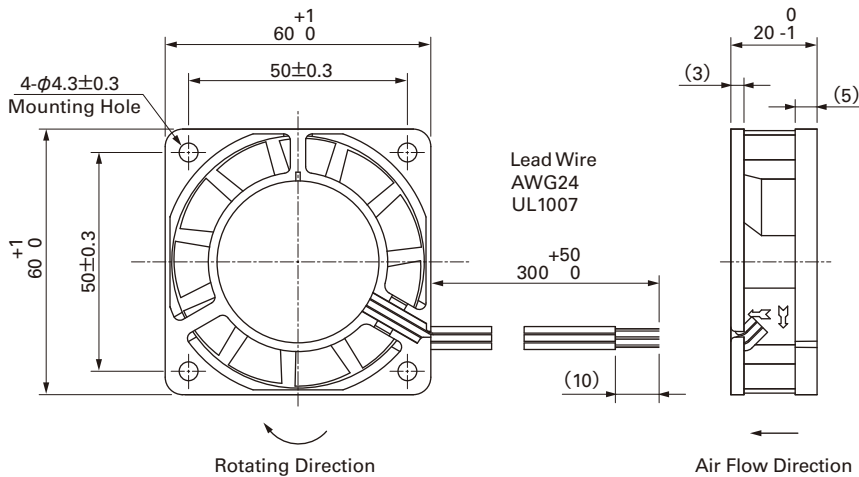
## Specifications

The following nos. **have pulse sensors and ribs.**

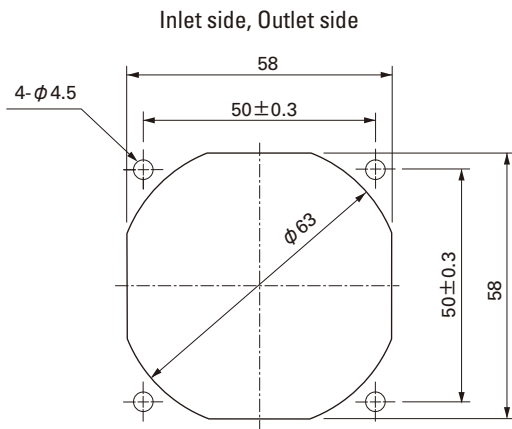
Model No.	Rated Voltage [V]	Operating Voltage Range [V]	Rated Current [A]	Rated Input [W]	Rated Speed [min <sup>-1</sup> ]	Max. Air Flow [m <sup>3</sup> /min] [CFM]	Max. Static Pressure [Pa] [inchH <sub>2</sub> O]	SPL [dB(A)]	Operating Temperature [°C]	Expected Life [h]
109P0612W601	12	6 to 16	0.13	1.56	4,200	0.42 14.8	31.8 0.128	31	-20 to +70	60,000
109P0612H601		10.2 to 13.8	0.13	1.56	4,200	0.42 14.8	31.8 0.128	31		
109P0612M601			0.09	1.08	3,200	0.30 10.6	18.8 0.076	25		
109P0624W601	24	12 to 30	0.07	1.68	4,200	0.42 14.8	31.8 0.128	31		
109P0624H601		20.4 to 27.6	0.07	1.68	4,200	0.42 14.8	31.8 0.128	31		
109P0624M601			0.05	1.20	3,200	0.30 10.6	18.8 0.076	25		
109P0648H601	48	43 to 53	0.07	3.36	5,600	0.55 19.4	52.9 0.212	41	40,000	

- Available options: ⇒ **Without Sensor**
- Please inquire as the availability of these functions depend on the model. ⇒ **Lock Sensor**

## Dimensions (Unit : mm)



## Reference dimension of mounting holes and vent opening (Unit : mm)

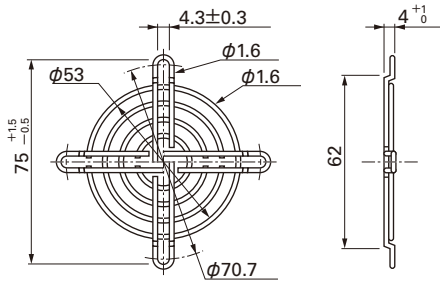


## Options (Unit : mm)

### Finger guards

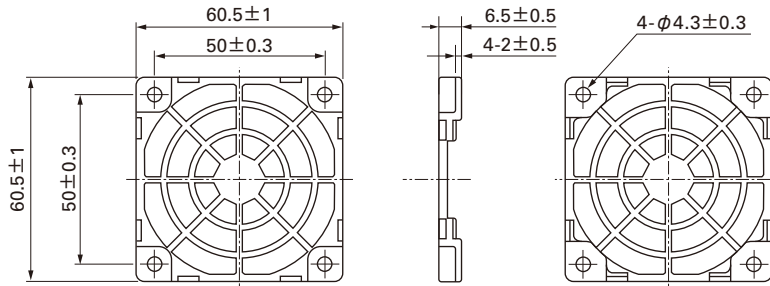
Model : 109-139E Surface treatment : Nickel-chrome plating (silver) Color  
 : 109-139H : Cation electropainting (black)

Inlet side, Outlet side



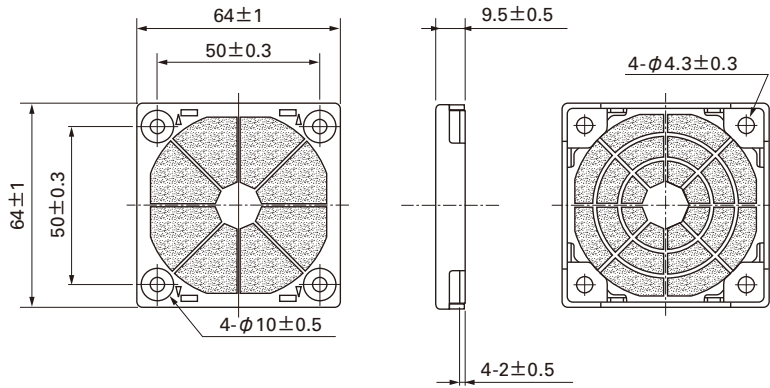
### Resin finger guards

Model : 109-1003G

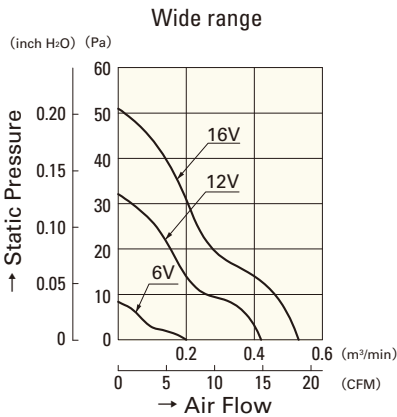


### Resin filter kits

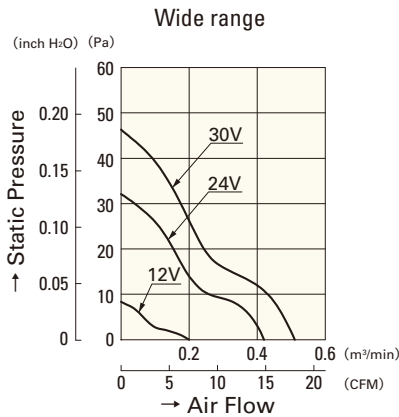
Model : 109-1003F13 (13PPI), 109-1003F20 (20PPI)  
 : 109-1003F30 (30PPI), 109-1003F40 (40PPI)



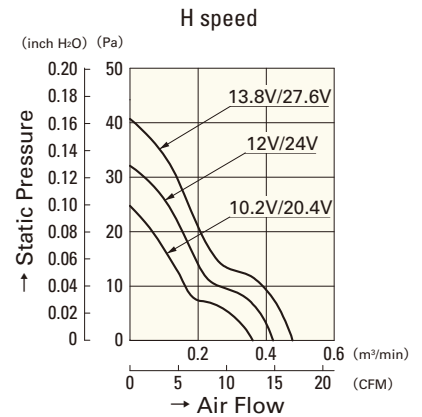
## Air Flow - Static Pressure Characteristics



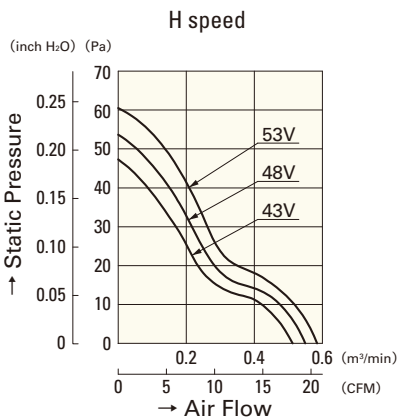
**109P0612W601**



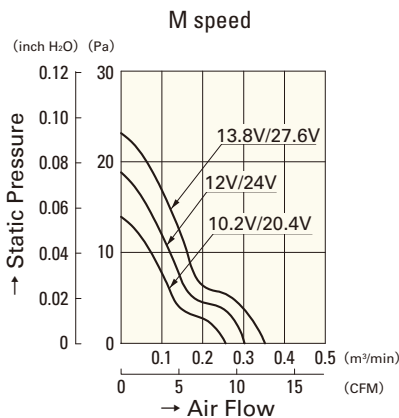
**109P0624W601**



**109P0612H601**  
**109P0624H601**



**109P0648H601**



**109P0612M601**  
**109P0624M601**