

60mm sq.

San Ace 60

15mm thick (GA type), 15mm thick
 20mm thick (GA type), 20mm thick
 25mm thick (S type), 25mm thick (G type)
 25mm thick, 25mm thick (San Cooler)
 38mm thick (GA type), 38mm thick (GV type)
 38mm thick (G type)



General Specifications

- Material Frame: Plastics (Flammability: UL94V-0),
 Impeller: Plastics (Flammability: UL94V-0)
- Expected Life Refer to specifications (L10:Survival rate:90% at 60°C ,
 rated voltage, and continuously run in a free air state)
- Lead Wire ⊕red ⊖black (Sensor) yellow
- Storage Temperature -30°C to +70°C (Non-condensing)

60×60×38mm (Mass : 110g) **G type**

Specifications

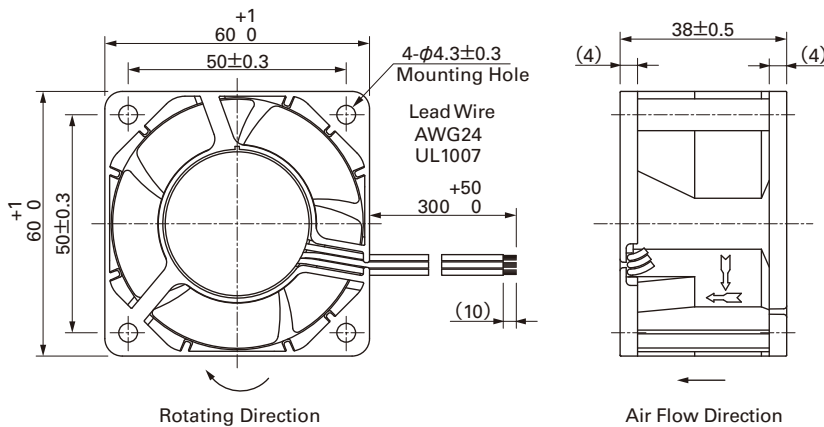
The following nos. **have pulse sensors and ribs**. For ribless, append "1" to the model no.

Model No.	Rated Voltage [V]	Operating Voltage Range [V]	Rated Current [A]	Rated Input [W]	Rated Speed [min ⁻¹]	Max. Air Flow [m ³ /min] [CFM]	Max. Static Pressure [Pa] [inchH ₂ O]	SPL [dB(A)]	Operating Temperature [°C]	Expected Life [h]		
9G0612G101	12	7.0 to 13.8	1.54	18.5	11,800	1.84	65	435	1.747	-20 to +70	40,000	
9G0612S101			1.36	16.3	10,800	1.70	60	370	1.486			56
9G0624G101	24	14.0 to 27.6	0.85	20.4	11,800	1.84	65	435	1.747			
9G0624S101			0.70	16.8	10,800	1.70	60	370	1.486			56
9G0624H101			0.57	13.68	9,800	1.54	54.4	304.6	1.223			54
9G0648G101	48	28 to 55.2	0.35	16.8	11,800	1.84	65	435	1.747			
9G0648S101			0.29	13.9	10,800	1.70	60	370	1.486	56		

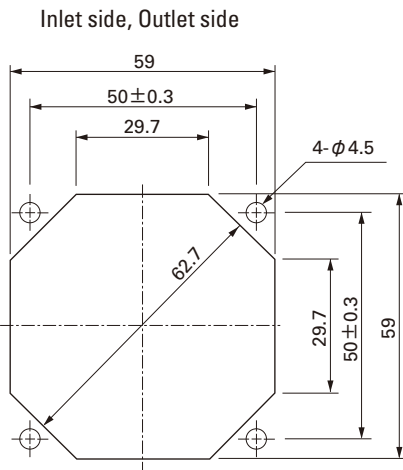
Available options: ⇒ **Without Sensor**

Please inquire as the availability of these functions depend on the model. ⇒ **Lock Sensor** **Low speed Sensor** **PWM Control**

Dimensions (Unit : mm) (With ribs)



Reference dimension of mounting holes and vent opening (Unit : mm)

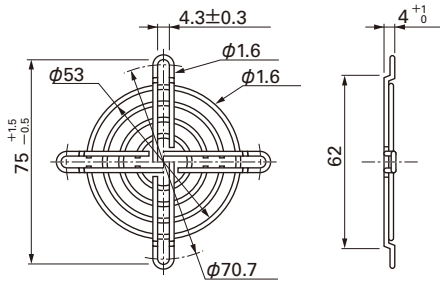


Options (Unit : mm)

Finger guards

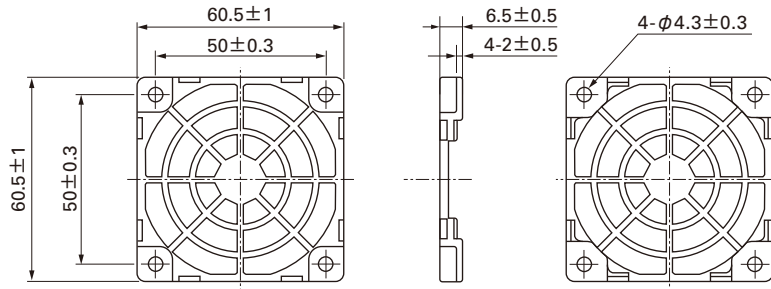
Model : 109-139E Surface treatment : Nickel-chrome plating (silver) Color
 : 109-139H : Cation electropainting (black)

Inlet side, Outlet side



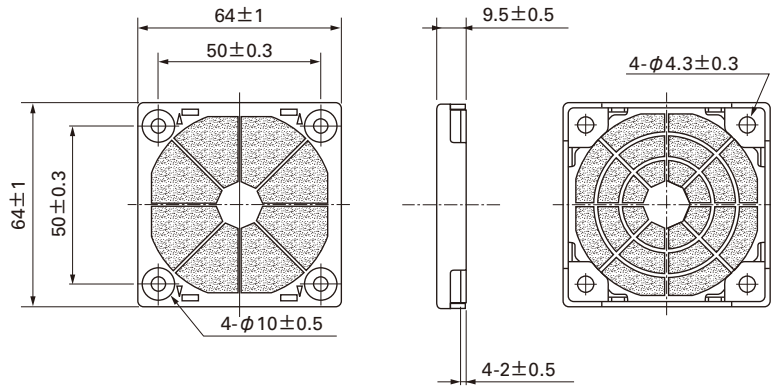
Resin finger guards

Model : 109-1003G

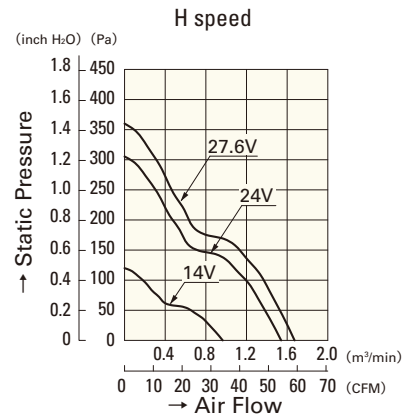
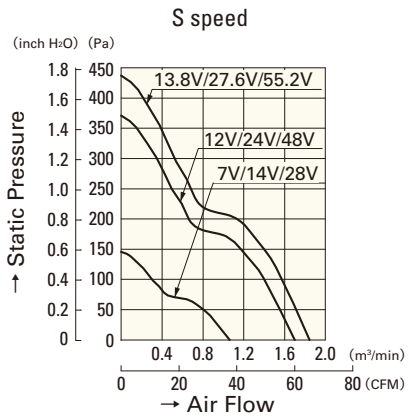
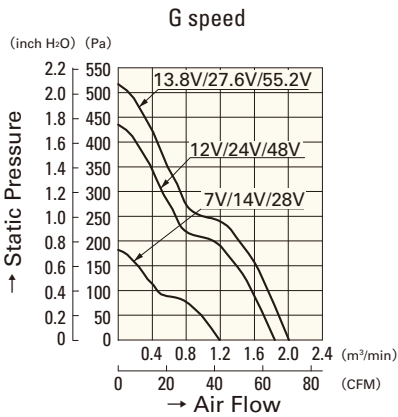


Resin filter kits

Model : 109-1003F13 (13PPI), 109-1003F20 (20PPI)
 : 109-1003F30 (30PPI), 109-1003F40 (40PPI)



Air Flow - Static Pressure Characteristics



9G0612G101
9G0624G101
9G0648G101

9G0612S101
9G0624S101
9G0648S101

9G0624H101