

**80**mm sq.

# San Ace 80

15mm thick (GA type), 15mm thick, 20mm thick (GA type)  
 20mm thick, 25mm thick (GA type), 25mm thick (S type)  
 25mm thick (GV type), 25mm thick  
**25mm thick (San Cooler)**, 32mm thick (GA type)  
 32mm thick, 38mm thick (HV type), 38mm thick (GA type)  
 38mm thick (GV type), 38mm thick (G type)



## General Specifications

- Material ..... Frame: Plastics (Flammability: UL94V-0),  
Impeller: Plastics (Flammability: UL94V-0)
- Expected Life ..... Refer to specifications (L10:Survival rate:90% at 60°C ,  
rated voltage, and continuously run in a free air state)
- Lead Wire ..... ⊕red ⊖black or blue (Sensor) yellow
- Storage Temperature ..... -30°C to +70°C (Non-condensing)

**80×80×25mm** (Mass : 90g) **San Cooler**

## Specifications

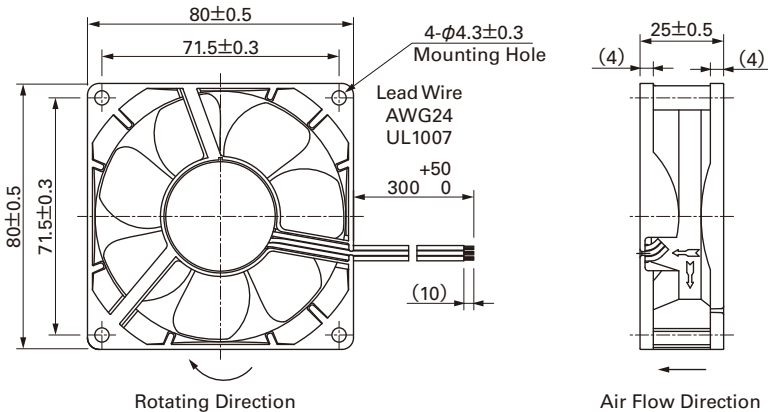
The following nos. **have pulse sensors and ribs**. For ribless, append "1" to the model no.

Model No.	Rated Voltage [V]	Operating Voltage Range [V]	Rated Current [A]	Rated Input [W]	Rated Speed [min <sup>-1</sup> ]	Max. Air Flow [m <sup>3</sup> /min] [CFM]	Max. Static Pressure [Pa] [inchH <sub>2</sub> O]	SPL [dB(A)]	Operating Temperature [°C]	Expected Life [h]
<b>9A0812G401</b>		6 to 13.2	0.38	4.56	4,500	1.5 53.0	80.3 0.323	40	-20 to +60	30,000
9A0812S401	12	6 to 13.8	0.18	2.16	3,400	1.2 42.4	48 0.193	34	-20 to +70	40,000
9A0812H401			0.13	1.56	2,900	1.03 36.4	35.3 0.142	29		
9A0812F401			0.11	1.32	2,600	0.92 32.5	28.4 0.114	26		
9A0812M401			0.09	1.08	2,350	0.83 29.3	22.5 0.090	23		
9A0812L401			0.06	0.72	1,850	0.65 23.0	14.7 0.059	20		
9A0824G401	24	12 to 26.4	0.21	5.04	4,500	1.5 53.0	80.3 0.323	40	-20 to +60	30,000
9A0824S401		12 to 27.6	0.1	2.4	3,400	1.2 42.4	48 0.193	34	-20 to +70	40,000
9A0824H401			0.07	1.68	2,900	1.03 36.4	35.3 0.142	29		
9A0824F401			0.06	1.44	2,600	0.92 32.5	28.4 0.114	26		
9A0824M401			0.05	1.2	2,350	0.83 29.3	22.5 0.090	23		
9A0824L401	14 to 27.6	0.04	0.96	1,850	0.65 23.0	14.7 0.059	20			

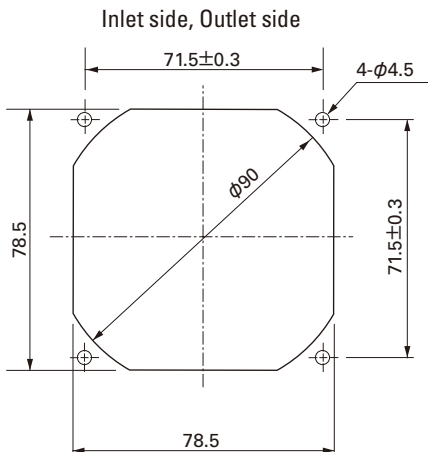
- Available options: ⇒ **Without Sensor**
- Please inquire as the availability of these functions depend on the model. ⇒ **Lock Sensor** **PWM Control**

## Dimensions (Unit : mm)

(With ribs)



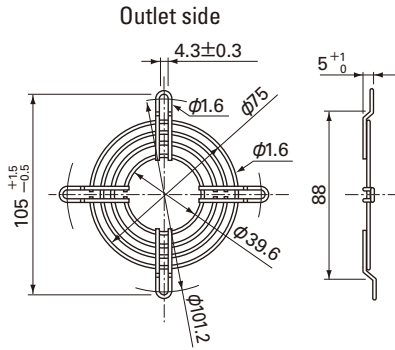
## Reference dimension of mounting holes and vent opening (Unit : mm)



**Options (Unit : mm)**

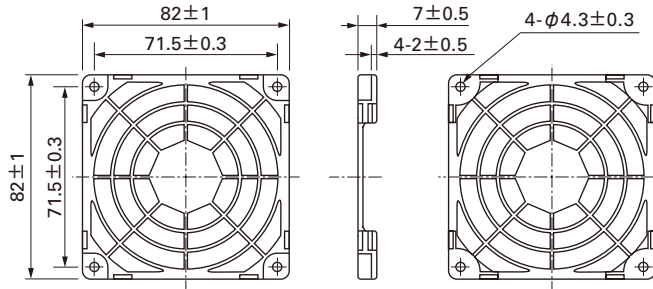
**Finger guards**

Model : 109-049C Surface treatment : Nickel-chrome plating (silver) Color : Nickel-chrome plating (silver)



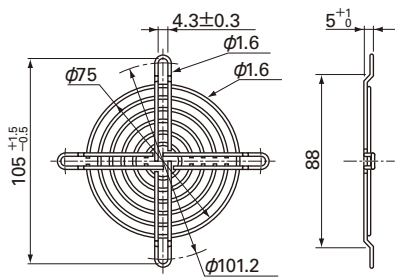
**Resin finger guards**

Model : 109-1002G



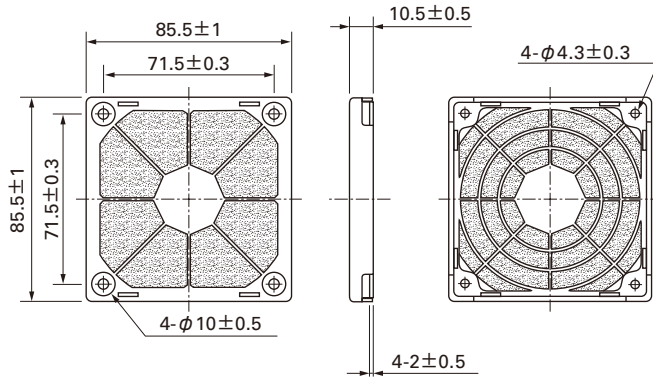
Model : 109-049E Surface treatment : Nickel-chrome plating (silver) Color : Nickel-chrome plating (silver)  
: 109-049H : Cation electropainting (black)

**Inlet side, Outlet side**

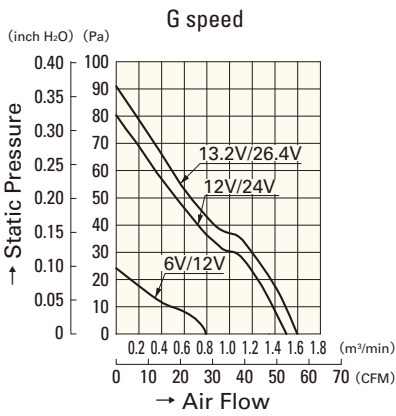


**Resin filter kits**

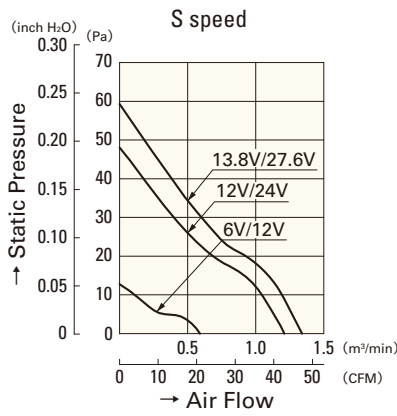
Model : 109-1002F13 (13PPI), 109-1002F20 (20PPI)  
: 109-1002F30 (30PPI), 109-1002F40 (40PPI)



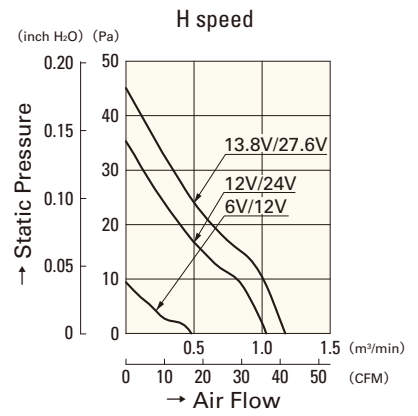
**Air Flow - Static Pressure Characteristics**



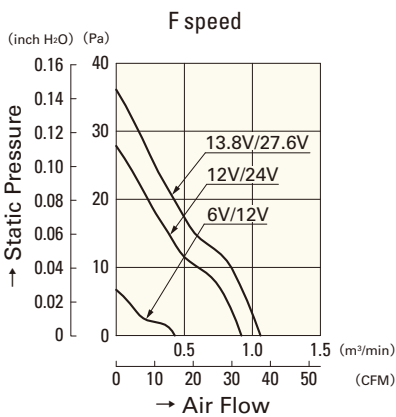
**9A0812G401**  
**9A0824G401**



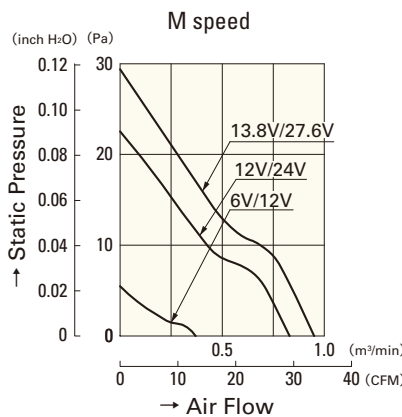
**9A0812S401**  
**9A0824S401**



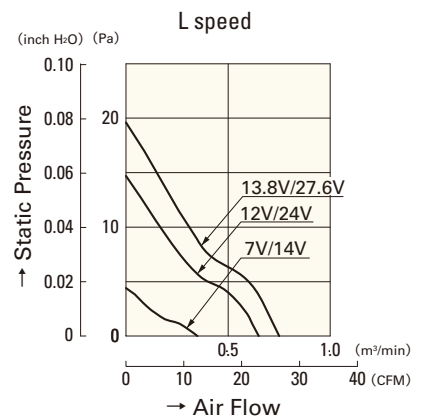
**9A0812H401**  
**9A0824H401**



**9A0812F401**  
**9A0824F401**



**9A0812M401**  
**9A0824M401**



**9A0812L401**  
**9A0824L401**