



# 120×120×38 mm

San Ace 120 9SG type Model 9SG1224H101 is not certified.

## General Specifications

- Material ..... Frame: Aluminum, Impeller: Plastic (Flammability: UL 94V-1)
- Expected life ..... See the table below. (L10 life: 90% survival rate for continuous operation in free air at 60°C, rated voltage)
- Motor protection function ..... Locked rotor burnout protection, Reverse polarity protection  
For details, please refer to p. 547.
- Dielectric strength ..... 50/60 Hz, 500 VAC, for 1 minute (between lead wire conductors and frame)
- Insulation resistance ..... 10 MΩ or more with a 500 VDC megger (between lead wire conductors and frame)
- Sound pressure level (SPL) ..... At 1 m away from the air inlet
- Storage temperature ..... -30 to +70°C (Non-condensing)
- Lead wire ..... ⊕Red ⊖Black or Blue (Sensor) Yellow
- Mass ..... 400 g

## Specifications

The models listed below **have pulse sensors**.

Model no.	Rated voltage [V]	Operating voltage range [V]	Rated current [A]	Rated input [W]	Rated speed [min <sup>-1</sup> ]	Max. airflow [m <sup>3</sup> /min] [CFM]	Max. static pressure [Pa] [inchH <sub>2</sub> O]	SPL [dB (A)]	Operating temperature [°C]	Expected life [h]
9SG1212G101	12	10.2 to 13.8	4.0	48.0	6000	7.35 260	340 1.37	64	-20 to +70	40000/60°C
9SG1224G101	24	20.4 to 27.6	2.0	48.0	6000	7.35 260	340 1.37	64		
9SG1224H101			0.46	11.0	3400	4.02 142	126 0.51	48		
9SG1248G101	48	40.8 to 55.2	1.0	48.0	6000	7.35 260	340 1.37	64		

The following sensor and control options are available for selection.

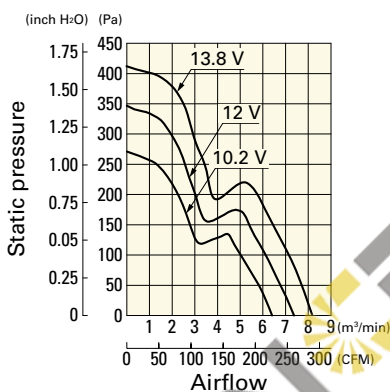
Available for all models. **Without sensor**

Differs according to the model. Refer to the table on p. 578. **Lock sensor** **PWM control**

## Airflow - Static Pressure Characteristics

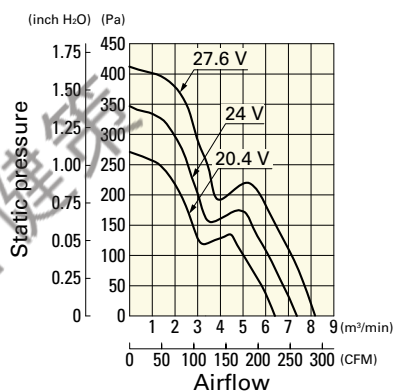
**9SG1212G101** With pulse sensor

Operating voltage range



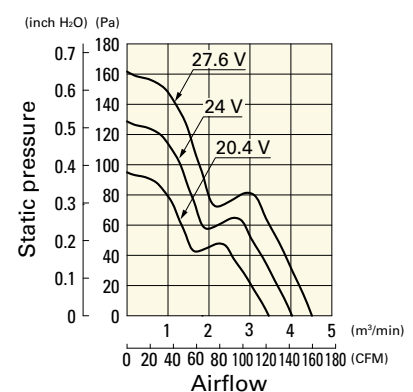
**9SG1224G101** With pulse sensor

Operating voltage range



**9SG1224H101** With pulse sensor

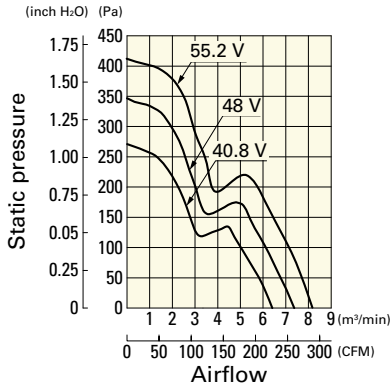
Operating voltage range



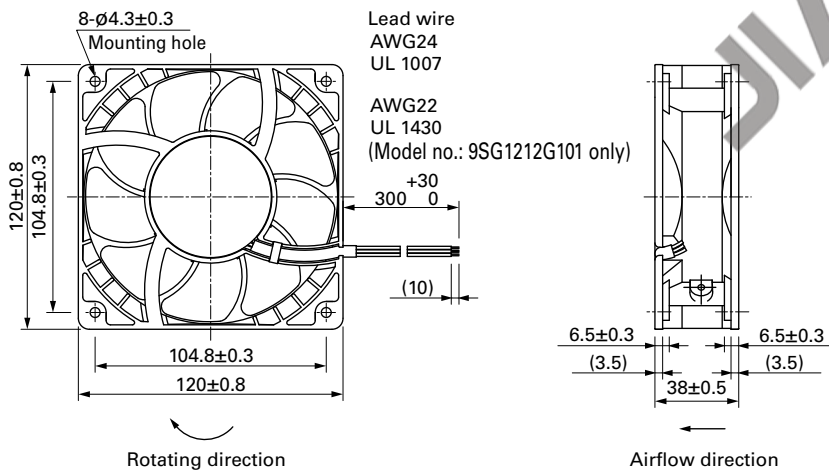
## Airflow - Static Pressure Characteristics

**9SG1248G101** With pulse sensor

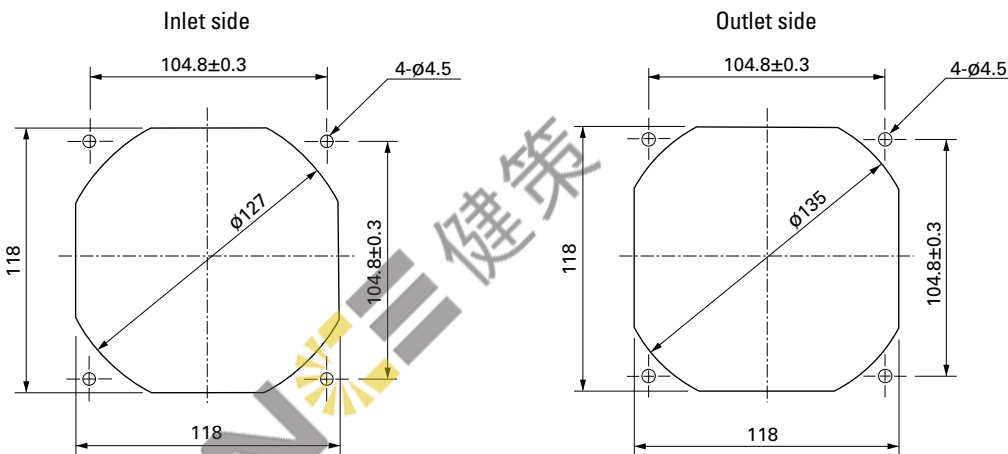
Operating voltage range



## Dimensions (unit: mm)



## Reference Dimensions of Mounting Holes and Vent Opening (unit: mm)



## Options

Finger guards

page: p. 533

Model no.: 109-019E, 109-019K, 109-019C, 109-019H

Resin finger guards

page: p. 539

Model no.: 109-1000G

Resin filter kits

page: p. 540

Model no.: 109-1000F13 (13PPI), 109-1000F20 (20PPI),  
109-1000F30 (30PPI), 109-1000F40 (40PPI)

JIAN 健策

0755—23706799

微信扫码  
咨询工程师



# Mouser Electronics

Authorized Distributor

Click to View Pricing, Inventory, Delivery & Lifecycle Information:

## Sanyo Denki:

[9SG1212P1G01](#) [9SG1224H101](#) [9SG1224P1G01](#) [9SG1248P1G01](#) [9SG1212G102](#) [9SG1224G102](#) [9SG1224G101](#)  
[9SG1212G101](#) [9SG1248G101](#) [9SG1224H102](#) [9SG1224G1D01](#) [9SG1248G102](#) [9SG1212G1D01](#)

JIAN 健策

JIAN 健策  
0755—23706799

