



120×120×38 mm

San Ace 120T 9GT type

General Specifications

- Material Frame: Aluminum, Impeller: Plastic (Flammability: UL 94V-1)
- Expected life See the table below. (L10 life: 90% survival rate for continuous operation in free air at 85°C, rated voltage)
Expected life at 40°C is for reference only.
- Motor protection function Locked rotor burnout protection, Reverse polarity protection
For details, please refer to p. 608.
- Dielectric strength 50/60 Hz, 500 VAC, for 1 minute (between lead wire conductors and frame)
- Insulation resistance 10 MΩ min. at 500 VDC (between lead wire conductors and frame)
- Sound pressure level (SPL) A-weighted sound pressure level (SPL) at 1 m away from the air inlet.
- Storage temperature -40 to +85°C (Non-condensing)
- Lead wire ⊕Red ⊖Black (Sensor) Yellow (Control) Brown
- Mass 420 g

Specifications

The models listed below **have a pulse sensor with PWM control.**

| Model no. | Rated voltage [V] | Operating voltage range [V] | PWM duty cycle [%] | Rated current [A] | Rated input [W] | Rated speed [min ⁻¹] | Max. airflow [m ³ /min] [CFM] | Max. static pressure [Pa] [inchH ₂ O] | SPL [dB (A)] | Operating temperature [°C] | Expected life [h] |
|---------------|-------------------|-----------------------------|--------------------|-------------------|-----------------|----------------------------------|------------------------------------------|--------------------------------------------------|--------------|----------------------------|-----------------------------|
| 9GT1212P1S001 | 12 | 9.0 to 13.8 | 100 | 2.2 | 26.4 | 5600 | 6.0 211.8 | 270 1.08 | 58 | -40 to +85 | 40000/85°C (162000/40°C) |
| | | | 35 | 0.48 | 5.76 | 2900 | 3.0 106.0 | 85.6 0.34 | 41 | | |
| 9GT1224P1S001 | 24 | 18.0 to 27.6 | 100 | 1.1 | 26.4 | 5600 | 6.0 211.8 | 270 1.08 | 58 | | |
| | | | 35 | 0.24 | 5.76 | 2900 | 3.0 106.0 | 85.6 0.34 | 41 | | |

PWM frequency is 25 kHz. Models without ratings for 0% PWM duty cycle have zero speed at 0%. When control terminal is open, speed is the same as at 100% duty cycle.

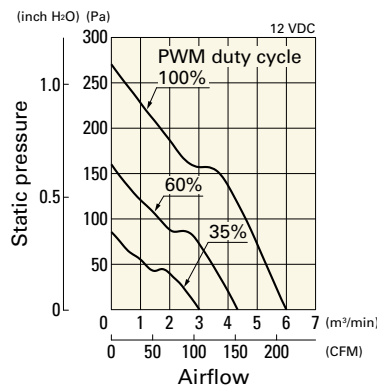
Note 1: Sensor and control options are available for selection. Refer to the table on p. 641.

Note 2: The mark indicates Short LeadTime Service applicable models. See p. 664 for details.

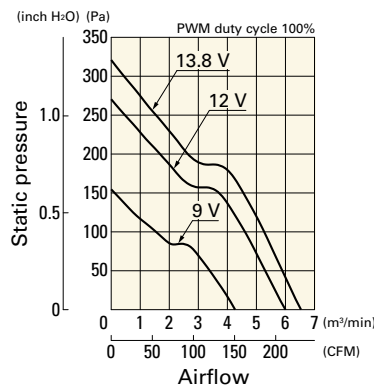
Airflow - Static Pressure Characteristics / PWM Duty - Speed Characteristics Example

9GT1212P1S001 With pulse sensor with PWM control

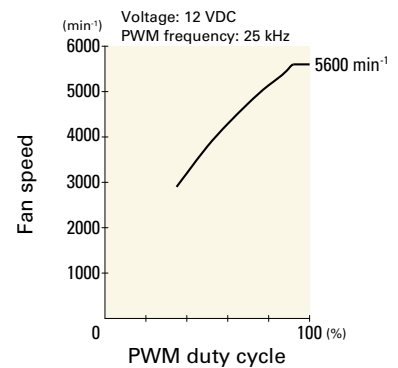
PWM duty cycle



Operating voltage range



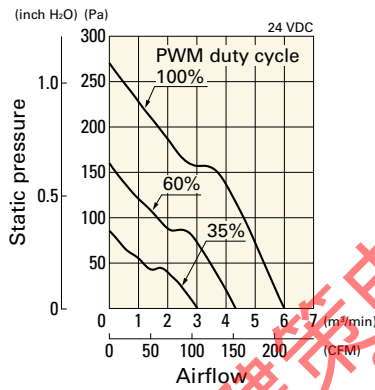
PWM duty - Speed characteristics example



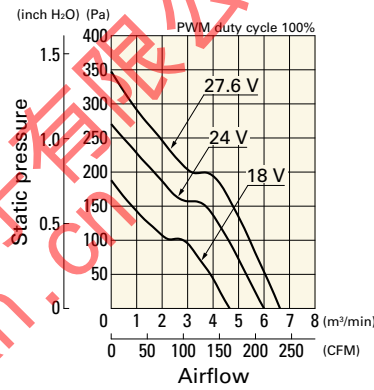
Airflow - Static Pressure Characteristics / PWM Duty - Speed Characteristics Example

9GT1224P1S001 With pulse sensor with PWM control

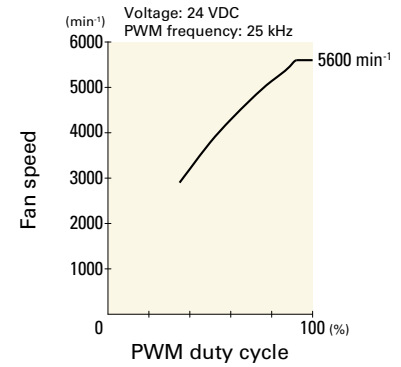
PWM duty cycle



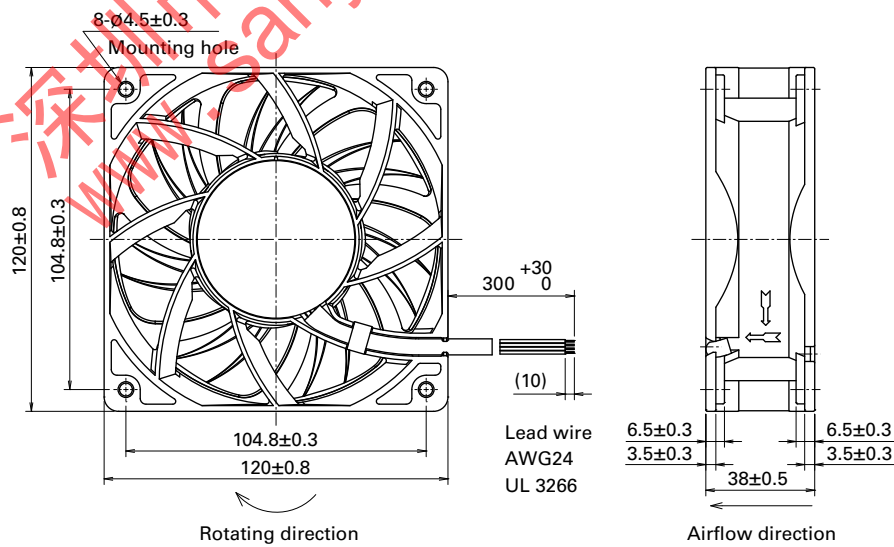
Operating voltage range



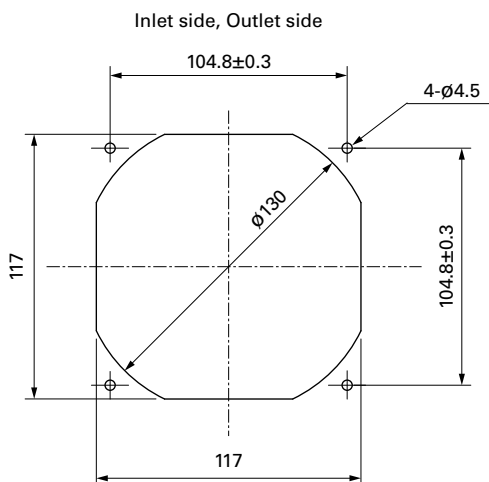
PWM duty - Speed characteristics example



Dimensions (unit: mm)



Reference Dimensions of Mounting Holes and Vent Opening (unit: mm)



Options

Finger guards

page: p. 591

Model no.: 109-019E, 109-019K

DC
Wide Temperature Range Fan 120 mm sq.